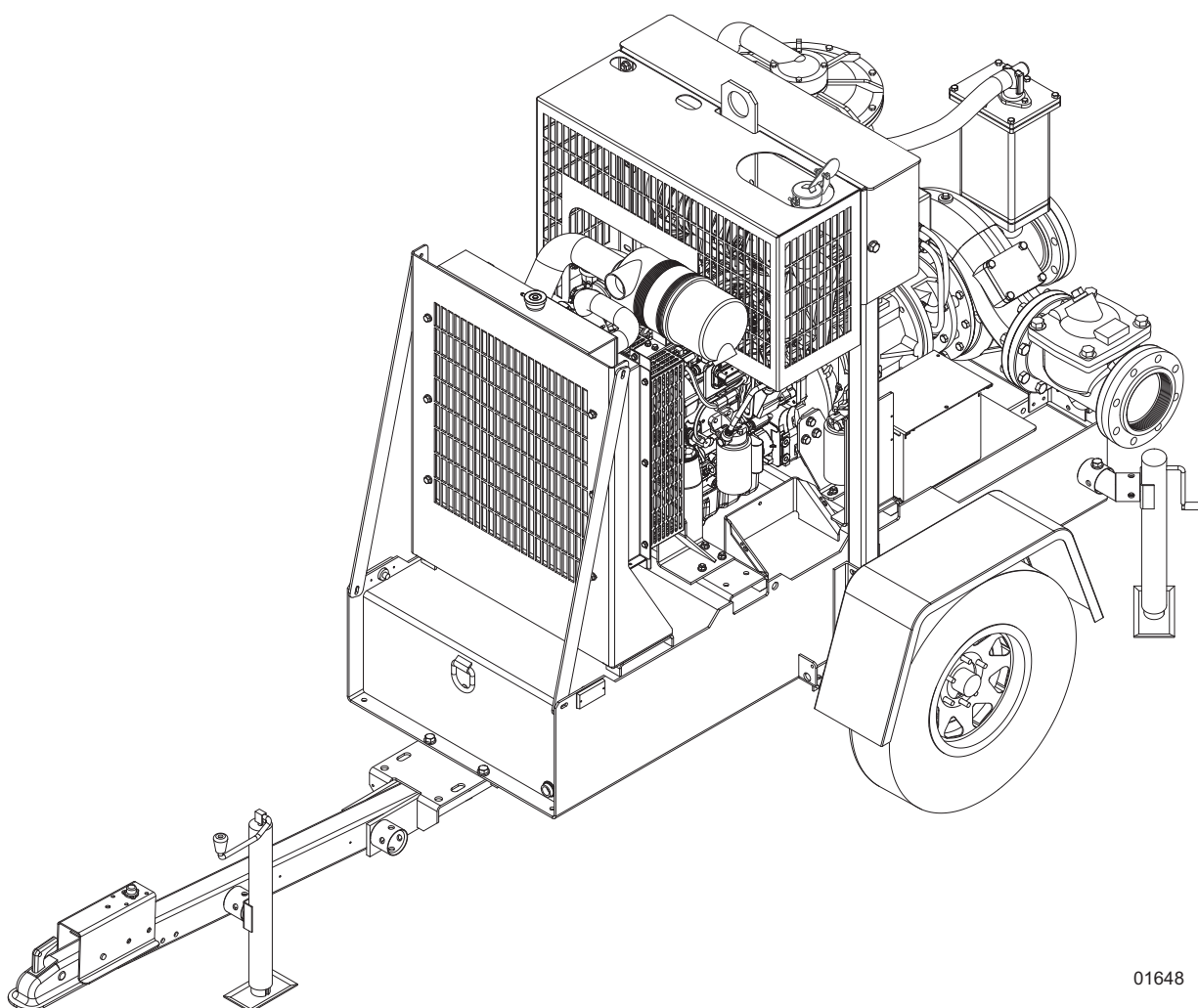


**GENERAC<sup>®</sup>**

**MOBILE  
PRODUCTS**

**DRY-PRIME DIESEL TRASH PUMP  
MTP6000DZD**



01648

**PARTS MANUAL**

**▲ WARNING**

**CALIFORNIA PROPOSITION 65 WARNING: Diesel engine exhaust and some of its constituents are known to the state of California to cause cancer, birth defects, and other reproductive harm.**

**▲ WARNING**

**CALIFORNIA PROPOSITION 65 WARNING: This product contains or emits chemicals known to the state of California to cause cancer, birth defects, and other reproductive harm.**

## Introduction

This parts manual was prepared based on the information available at the time of publication and is subject to change without notice. Generac Mobile Products reserves the right to change parts at any time. To check whether a revised parts manual is available, contact Generac Mobile Products.

DO NOT MODIFY or use this equipment for any application other than which it was designed for. To keep your equipment fully operational, it is suggested you maintain a stock of commonly used maintenance or service parts. A recommended spare parts list can be found in the back of this manual. To order service parts, please go to [www.generacmobile.com](http://www.generacmobile.com) or call Generac Mobile Products.

### **▲ WARNING**

**Before operating or servicing this equipment, read and understand the Generac Operating Manual which was included with the unit when shipped from the factory.**

**Failure to do so increases the risk of injury to yourself or others.**

## **GENERAC MOBILE PRODUCTS LLC**

**215 Power Drive • Berlin, WI 54923 U.S.A.**

**Phone: 920-361-4442**

**FAX: 920-361-4416**

**Toll Free: 1-800-926-9768**

**[www.generacmobile.com](http://www.generacmobile.com)**

**For technical or parts QUESTIONS, please contact the Generac Mobile Products Customer Support or Technical Support team at 1-800-926-9768.**

Engine Make: \_\_\_\_\_

Engine Serial Number: \_\_\_\_\_

Engine Model Number: \_\_\_\_\_

Pump Make: \_\_\_\_\_

Pump Model Number: \_\_\_\_\_

Pump Serial Number: \_\_\_\_\_

Unit Model Number: \_\_\_\_\_

Unit Serial Number: \_\_\_\_\_

This Page Intentionally Left Blank

# Table of Contents

Introduction .....	iii
Parts Manual Instructions .....	1
Unit Decals - Left Side .....	2
Unit Decals - Right Side .....	3
Control Box Assembly .....	4
Air Filter Assembly .....	6
Exhaust System Assembly .....	8
Cooling System Assembly .....	10
Engine and Pump to Skid Assembly .....	12
Engine Assembly - Left Side .....	14
Engine Assembly - Right Side .....	16
External Pump Assembly .....	18
Vacuum Pump Assembly .....	20
Bearing Frame Assembly .....	22
Priming Chamber Assembly .....	24
Internal Pump Assembly .....	26
Lift Structure Assembly .....	28
Fuel Tank Assembly (1 of 2) .....	30
Fuel Tank Assembly (2 of 2) .....	32
Trailer Assembly .....	34
Trailer Hitch Options .....	36
Axle Assembly .....	38
Trailer Brake Lines .....	40
Recommended Spare Parts List .....	42

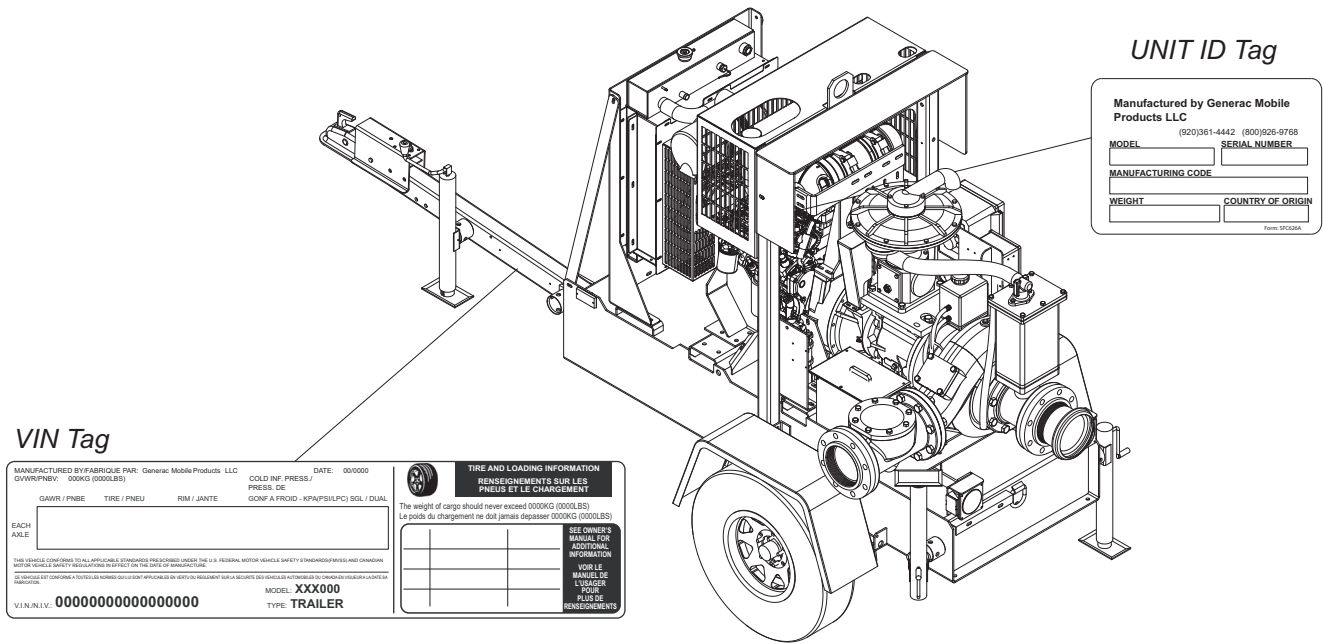
This Page Intentionally Left Blank

# Parts Manual Instructions

Product illustrations are only representations. Products supplied may vary from the illustrations in this parts manual. Parts not shown in the illustration are indicated by a double dash (--) in the item column.

Please be prepared to provide the following information when ordering replacement parts: model number, serial number (on unit serial tag), part number, purchase order number (if applicable), shipping address, shipping method.

Refer to the illustration below to locate the unit ID tag and Vehicle Identification Number (VIN) tag on the unit. Important information, such as the unit serial number, model number, VIN and tire loading information are found on these tags. Record the information from these tags so it is available if the tags are lost or damaged. When ordering parts or requesting assistance, you may be asked to provide this information.



01634

# UNIT DECALS - LEFT SIDE

<p><b>PUMP OPERATION</b></p> <ol style="list-style-type: none"> <li>Level unit with all three jacks.</li> <li>Attach intake and outlet hoses/piping.</li> <li>Emergency stop off. Engine start switch to "Start".</li> <li>Allow pump to prime.</li> <li>Allow pump to cool off.</li> <li>If pressurized, vent pump slowly at casing drain.</li> <li>Read operator's manual before re-starting.</li> </ol>	<p><b>FONCTIONNEMENT DE LA POMPE</b></p> <ol style="list-style-type: none"> <li>Mettez la pompe à niveau avec les trois pieds.</li> <li>Attachez les tuyaux/adaptateurs d'entrée/d'évacuation.</li> <li>Arrêtez l'arrêt d'urgence. Mettez l'interrupteur de démarrage du moteur sur "Start" (démarrage).</li> <li>Laissez la pompe à l'arrêt.</li> <li>Laissez la pompe refroidir.</li> <li>Si la pompe est pressurisée, ventez la pompe par le bouchon de vidange.</li> <li>Lisez le manuel d'utilisation avant de remettre en service.</li> </ol>
--	---

<p><b>WARNING</b></p> <p>This pump is designed for use only with water containing suspended solids. Do not operate in an aqueous environment. Do not attempt use with volatile, corrosive or flammable materials or liquids. Damage to the pump or severe bodily damage may occur.</p>
<p><b>ADVERTENCIA</b></p> <p>Esta bomba es diseñada para funcionar con agua que contenga sólidos en suspensión. No opere en un ambiente acuoso. No intente utilizarla con materiales o líquidos volátiles, corrosivos o inflamables. Puede causar daños a la bomba o lesiones corporales graves.</p>
<p><b>AVVERTISSEMENT</b></p> <p>Cette pompe est conçue pour être utilisée uniquement avec de l'eau contenant des matières solides en suspension. Ne pas faire fonctionner. La pompe dans un environnement aquatique ne peut fonctionner. Le pompe dans un environnement aquatique ne peut fonctionner. Le pompe dans un environnement aquatique ne peut fonctionner.</p>

<p><b>WARNING</b></p> <p>Pump can automatically start while on travel unless safety device is properly installed. Read operator's manual before starting.</p>
<p><b>ADVERTENCIA</b></p> <p>Bomba puede arrancar automáticamente y causar lesiones corporales. Lea el manual de instrucciones de funcionamiento antes de comenzar a operar.</p>
<p><b>AVVERTISSEMENT</b></p> <p>La pompe peut démarrer automatiquement, ce qui peut entraîner des blessures corporelles. Lire le manuel d'instructions de fonctionnement avant de commencer à utiliser la pompe.</p>

	<p><b>WARNING</b></p> <p><b>ADVERTENCIA</b></p> <p><b>AVVERTISSEMENT</b></p>
--	--

	<p><b>WARNING</b></p> <p><b>ADVERTENCIA</b></p> <p><b>AVVERTISSEMENT</b></p>
--	--

**ULTRA LOW SULFUR FUEL ONLY**

**S515 mg/kg**

	<p><b>DANGER</b></p> <p><b>GEFAHR</b></p> <p><b>PELIGRO</b></p> <p><b>DANGER</b></p>
--	--

**DIESEL**

FUEL TANK DRAIN



Operator's manual must be stored on machine. Read/consult manual before use. Das Benutzerhandbuch muss an der Maschine aufbewahrt werden. Sie f&uuml;rhandeln von Bedienungsanleitungen werden Sie nicht ohne an Ihre Magn&uuml;n-H&uuml;nder. El manual del operador debe guardarse en la m&uuml;quina. El manual del operador debe guardarse en la m&uuml;quina. Regard le manuel de l'op&uuml;rateur avec l'appareil. Un manuel d'op&uuml;rateur doit &ecirc;te conserv&eacute; sur le v&eacute;hicule distributeur.



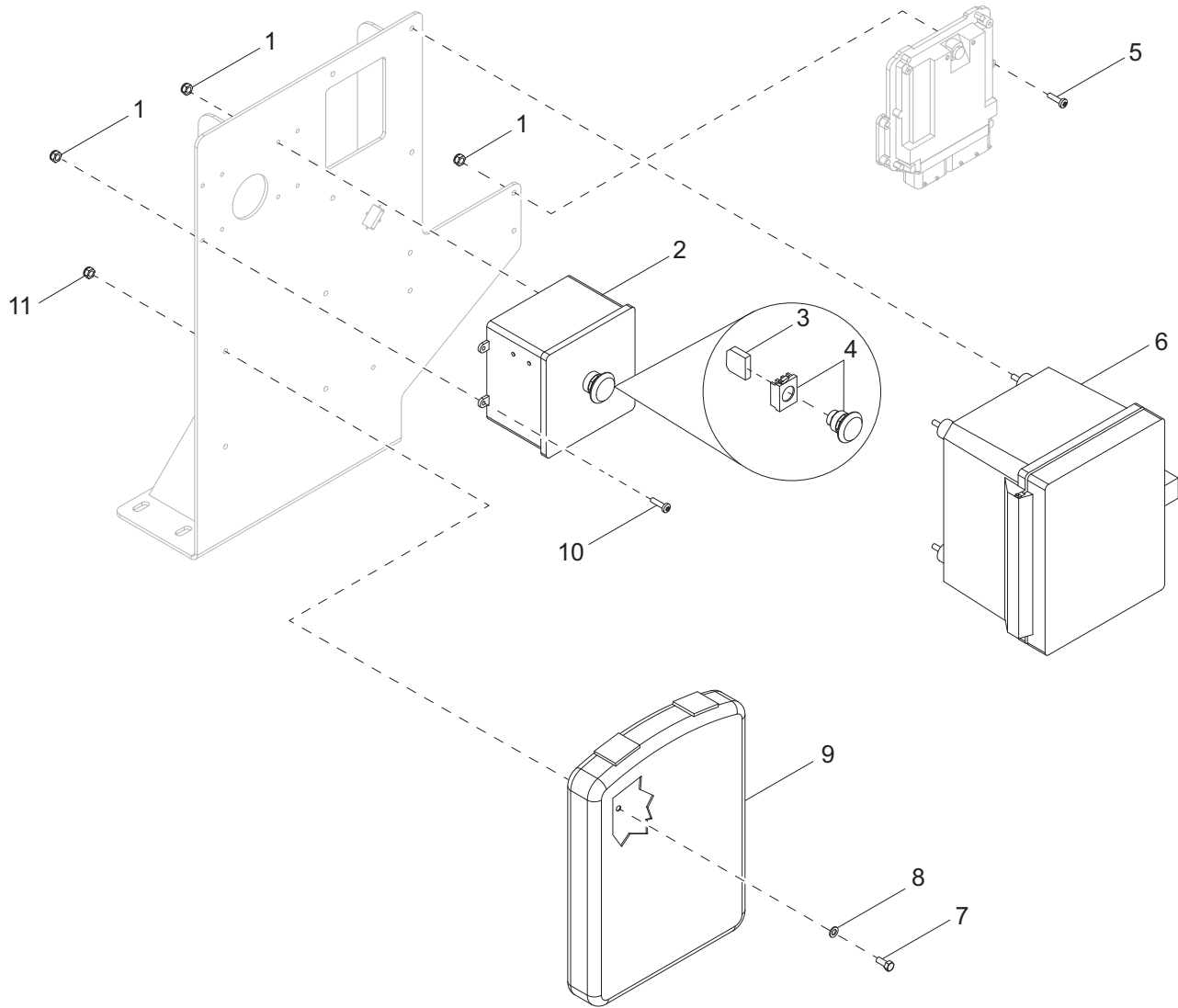
<p><b>TOWING INSTRUCTIONS</b></p> <ol style="list-style-type: none"> <li>Read operator's manual.</li> <li>Use hitch rated for trailer's "gross vehicle weight rating".</li> <li>Securely attach trailer to tow vehicle.</li> <li>Check safety chains using a cross pattern.</li> <li>Attach breakaway chain to vehicle.</li> <li>Check tailer lights.</li> </ol>	<p><b>ABSCHLEPPINSTRUKTIONEN</b></p> <ol style="list-style-type: none"> <li>Beifolgebrosch&amp;uuml;re lesen.</li> <li>Verwenden Sie einen Zuz&amp;uuml;hler, der f&amp;uuml;r das Gesamtbruttogewicht des Anh&amp;uuml;ngers ausgelegt ist.</li> <li>Verbinden Sie den Anh&amp;uuml;nger sicher an das Zuz&amp;uuml;hlerfahrzeug.</li> <li>Pr&amp;uuml;fen Sie die Sicherheitsketten mit einem Kreuzmuster.</li> <li>Verbinden Sie die Abbremskette mit dem Zuz&amp;uuml;hlerfahrzeug.</li> <li>Pr&amp;uuml;fen Sie die Lichter des Anh&amp;uuml;ngers.</li> </ol>	<p><b>INSTRUCCIONES DE REMOLQUE</b></p> <ol style="list-style-type: none"> <li>Lea el manual del operador.</li> <li>Utilice un acople correctamente clasificado para la "Carga de peso bruto" del veh&amp;uuml;culo de remolque.</li> <li>Asegure de acoplar correctamente el remolque al veh&amp;uuml;culo de remolque.</li> <li>Compruebe las cadenas de seguridad.</li> <li>Conecte la cadena de remolque al veh&amp;uuml;culo de remolque.</li> <li>Compruebe las luces del remolque.</li> </ol>	<p><b>INSTRUCCIONES DE REMORQUAGE</b></p> <ol style="list-style-type: none"> <li>Lire le notice d'op&amp;uuml;rateur.</li> <li>Utilisez un crochet d'attelage conform&amp;eacute; au d&amp;eacute;bit nominal du poids brut du veh&amp;uuml;cle de remorque.</li> <li>Assurez la remorque correctement au veh&amp;uuml;cle tracteur.</li> <li>Attachez les chaines de s&amp;eacute;curit&amp;eacute; en utilisant une m&amp;eacute;thode en croix.</li> <li>Attachez la ch&amp;eacaron; de remorque au veh&amp;uuml;cle tracteur.</li> <li>V&amp;eacute;rifiez les lampes de la remorque.</li> </ol>
--	---	--	--

Note: All safety and operating decals are located on decal sheet 31615 unless otherwise noted.





# CONTROL BOX ASSEMBLY

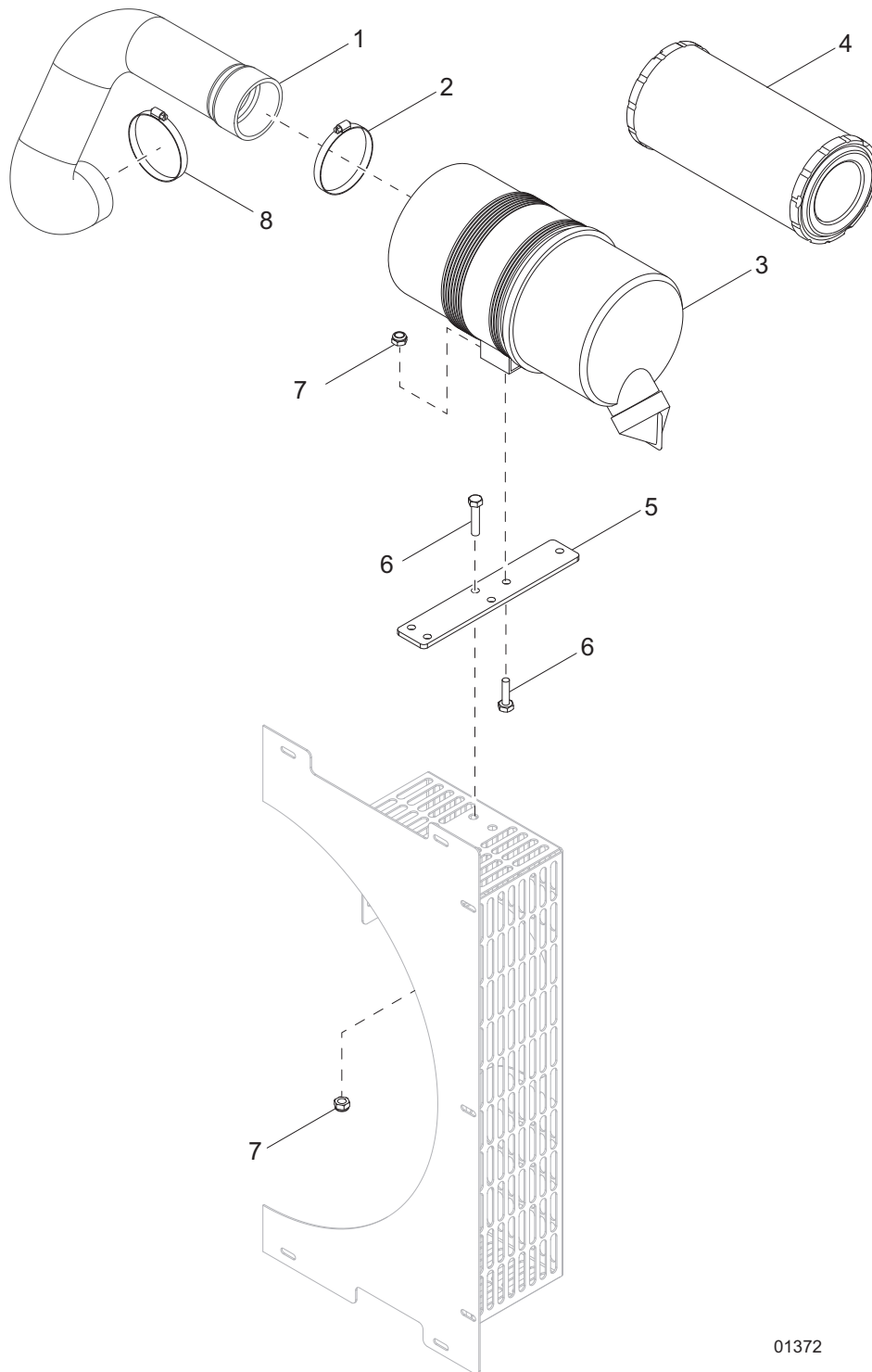


01328

## CONTROL BOX ASSEMBLY

Item	Part No.	Qty	Description	Notes
1	60061	12	Nut, 10-32 nylock	
2	31514	1	Assembly, E-stop box	
--	65416	1	Nut, Duetsch HDP series	Included with item 2
--	65417	1	Washer, lock - Duetsch HDP series	Included with item 2
--	31597	1	Box, modified - E-stop	Included with item 2
--	61045	5	Nut, 10-32 sflg	Included with item 2
--	66455	2	Relay, 12V/70A NC/80A NO w/diode	Included with item 2
--	65049	1	Relay, 12V/30-40A NO w/diode	Included with item 2
--	60398	1	Screw, 10-32 x .500 pan phil, SS	Included with item 2
--	60237	8	Washer, #10 flat .495/.036 SAE	Included with item 2
--	60243	2	Washer, .250 flat .735/.060	Included with item 2
3	65584	1	Block, E-stop contacter NO/NO	
4	65470	1	Switch, E-stop operator	
5	60396	4	Screw, 10-32 x 1.250 pan phil, G2	
6	68532	1	Assembly, control box w/controller (Lofa 750)	
--	31503	1	Controller, programmed	
--	60062	8	Screw, 10-32 x .750 pan phil, G2	Included with item 6
--	60303	4	Nut, .312-18 nylock, G2	Included with item 6
--	62001	4	Screw, .312-18 x 1.250 std hex, G5	Included with item 6
7	60281	4	Screw, .250-20 x .750 std hex, G5	
8	60243	4	Washer, .250 flat, .735/.060	
9	24540	1	Holder, manual	
10	60062	8	Screw, 10-32 x .750 pan phil, G2	
11	60144	4	Nut, .250-20 nylock, G5	
--	68304	1	Harness, main	
--	68381	1	Wire group, E-stop box	
<b>OPTIONAL FEATURES</b>				
<i>Float Switches:</i>				
--	49607	1	Adapter, harness - LOFA float switch	
--	41581	1	Assembly, float switch	

# AIR FILTER ASSEMBLY



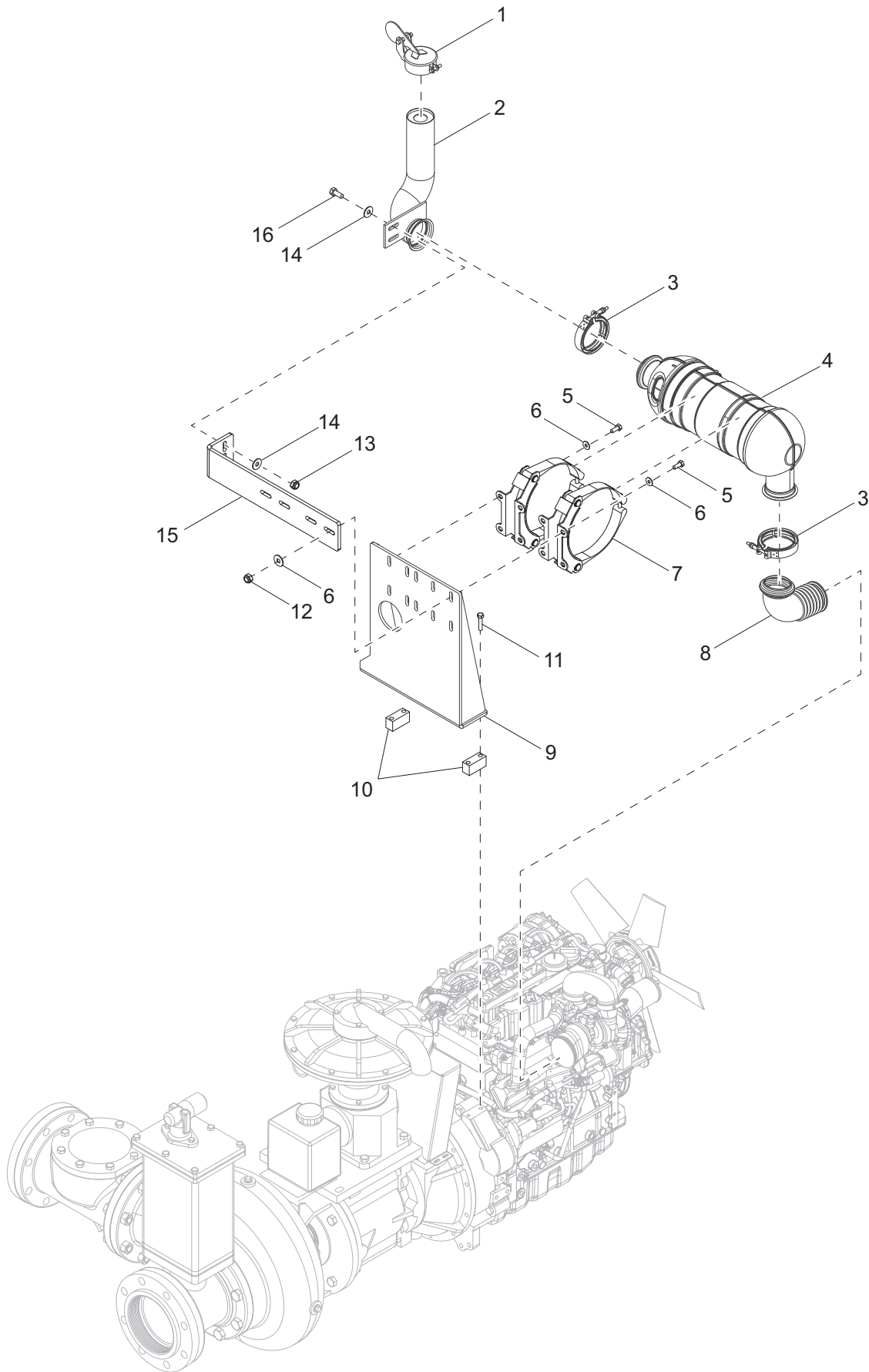
01372

## AIR FILTER ASSEMBLY

---

Item	Part No.	Qty	Description	Notes
1	31461	1	Hose, air filter	
2	19336	1	Clamp, hose - SAE 044 (2.31-3.25)	
3	22967	1	Filter, air	
4	22874	1	Element, air filter	
5	31462B	1	Bracket, air filter	
6	60028	6	Screw, .312-18 x 1.0 std hex, G5	
7	60303	6	Nut, .312-18 nylock, G5	
8	18663	1	Clamp, hose - SAE 060 (3.31-4.25)	

# EXHAUST SYSTEM ASSEMBLY



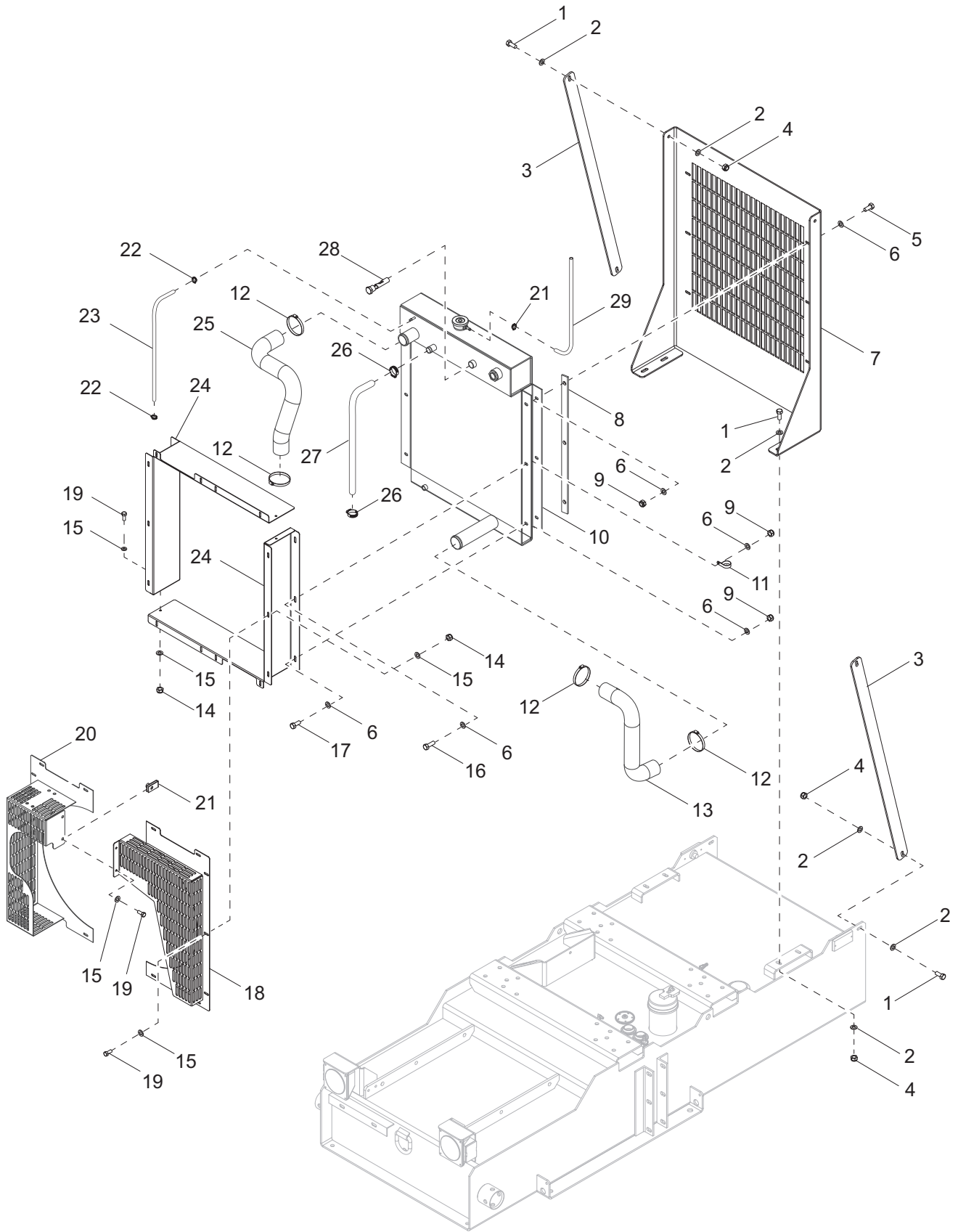
01636

## EXHAUST SYSTEM ASSEMBLY

---

Item	Part No.	Qty	Description	Notes
1	21089	1	Cap, rain - 3.0	
2	31628	1	Weldment, exhaust pipe	
3	63248	2	Clamp, V-band - 3.88 ID/.40 SC width	
4	31449	1	DOC, Deutz TD2.9	
5	60256	8	Screw, .312-18 x 1.50 std hex, fully threaded, G5	
6	60119	16	Washer, .312 flat .875/.070	
7	31450	2	Clamp, DOC	
8	31595	1	Weldment, DOC pipe	
9	31547B	1	Weldment, DOC support	
10	31539B	2	Spacer	
11	60152	4	Screw, M10-1.50 x 60 std hex, G8.8	
12	60303	8	Nut, .312-18 nylock, G2	
13	60358	2	Nut, .375-16 nylock, G5	
14	60386	4	Washer, .375 flat .993/.064	
15	31626B	1	Bracket, tail pipe support	
16	60352	2	Screw, .375-16 x 1.250 std hex, G5	

# COOLING SYSTEM ASSEMBLY



01331

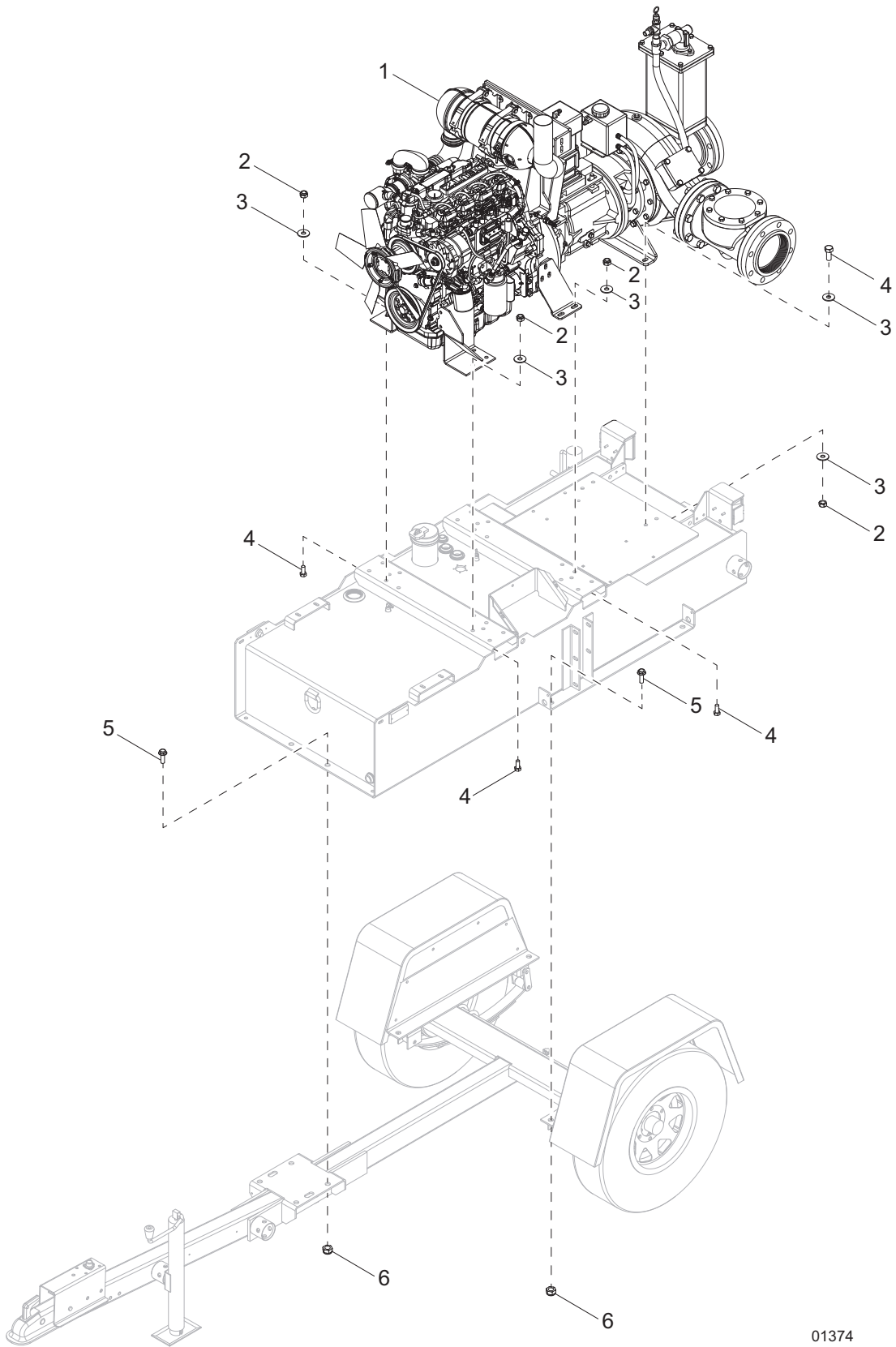


## COOLING SYSTEM ASSEMBLY

---

Item	Part No.	Qty	Description	Notes
1	60352	8	Screw, .375-16 x 1.250 std hex, G5	
2	60386	16	Washer, .375 flat .993/.064	
3	31583B	2	Strut, radiator support	
4	60358	8	Nut, .375-16 nylock, G5	
5	62001	6	Screw, .312-18 x 1.250 std hex, G5	
6	60119	24	Washer, .312 flat .875/.070	
7	31548B	1	Bracket, radiator support	
8	31650B	2	Spacer, radiator	
9	60303	12	Nut, .312-18 nylock, G2	
10	38321	1	Radiator, w/expansion tank	
11	15627	1	Clamp, tubing - .625 heavy duty	
12	60316	4	Clamp, hose - SAE 032 (1.56-2.50)	
13	31440	1	Hose, radiator - lower	
14	60144	16	Nut, .250-20 nylock, G5	
15	60243	34	Washer, .250 flat .735/.060	
16	60028	1	Screw, .312-18 x 1.0 std hex, G5	
17	61061	6	Screw, .312-18 x .875 std hex, G5	
18	31582B	1	Weldment, fan guard - right	
19	60281	18	Screw, .250-20 x .750 std hex, G5	
20	31581B	1	Weldment, fan guard - left	
21	61143	2	Nut, .250-20 U-clip - short type	
22	14216	3	Clamp, hose - SAE 004 (.21-.62) mini	
23	50017	2.1 ft	Hose, fuel - .250 ID, 50 psi, SAE 30R7	
24	31561B	2	Shroud, fan	
25	31439	1	Hose, radiator - upper	
26	19338	2	Clamp, hose - SAE 016 (.68-1.50)	
27	51019	2 ft	Hose, heater .875 J20R3	
28	68206	1	Sensor, low coolant, wet sinking	
29	50018	3 ft	Hose, fuel - .312 ID, 50 psi, SAE 30R7	

# ENGINE AND PUMP TO SKID ASSEMBLY



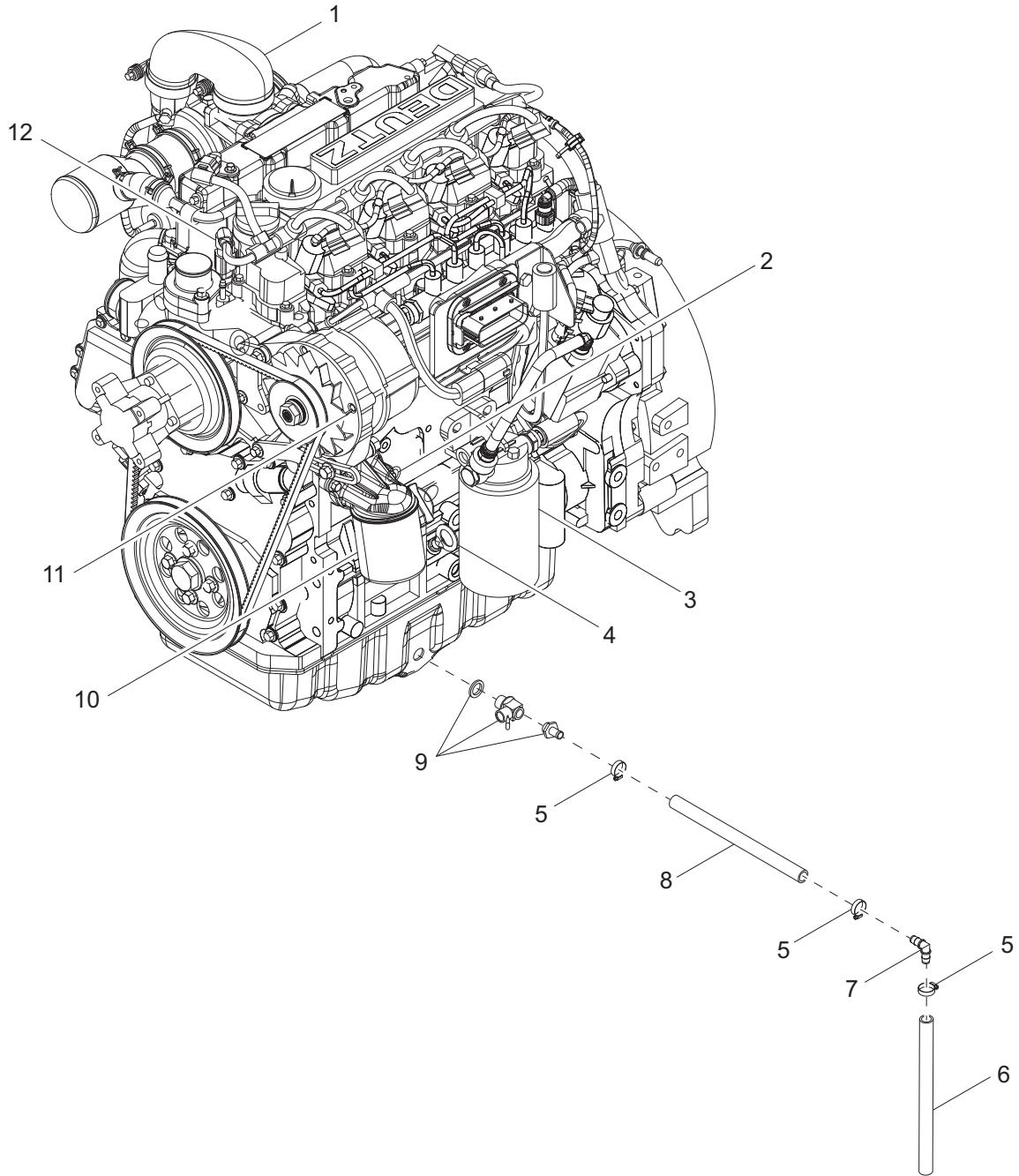
01374

## ENGINE AND PUMP TO SKID ASSEMBLY

---

Item	Part No.	Qty	Description	Notes
1	31586	1	Assembly, engine/pump - Deutz TD2.9/Cornell 6.0	
2	62221	12	Nut, .500-13 nylock, G5	
3	60309	14	Washer, .500 flat 1.060/.090	
4	60388	12	Screw, .500-13 x 1.50 std hex, G5	
5	61078	6	Screw, .625-11 x 2.0 flg hex, G8	
6	60240	6	Nut, .625-11 nylock, G5	

# ENGINE ASSEMBLY - LEFT SIDE



01557

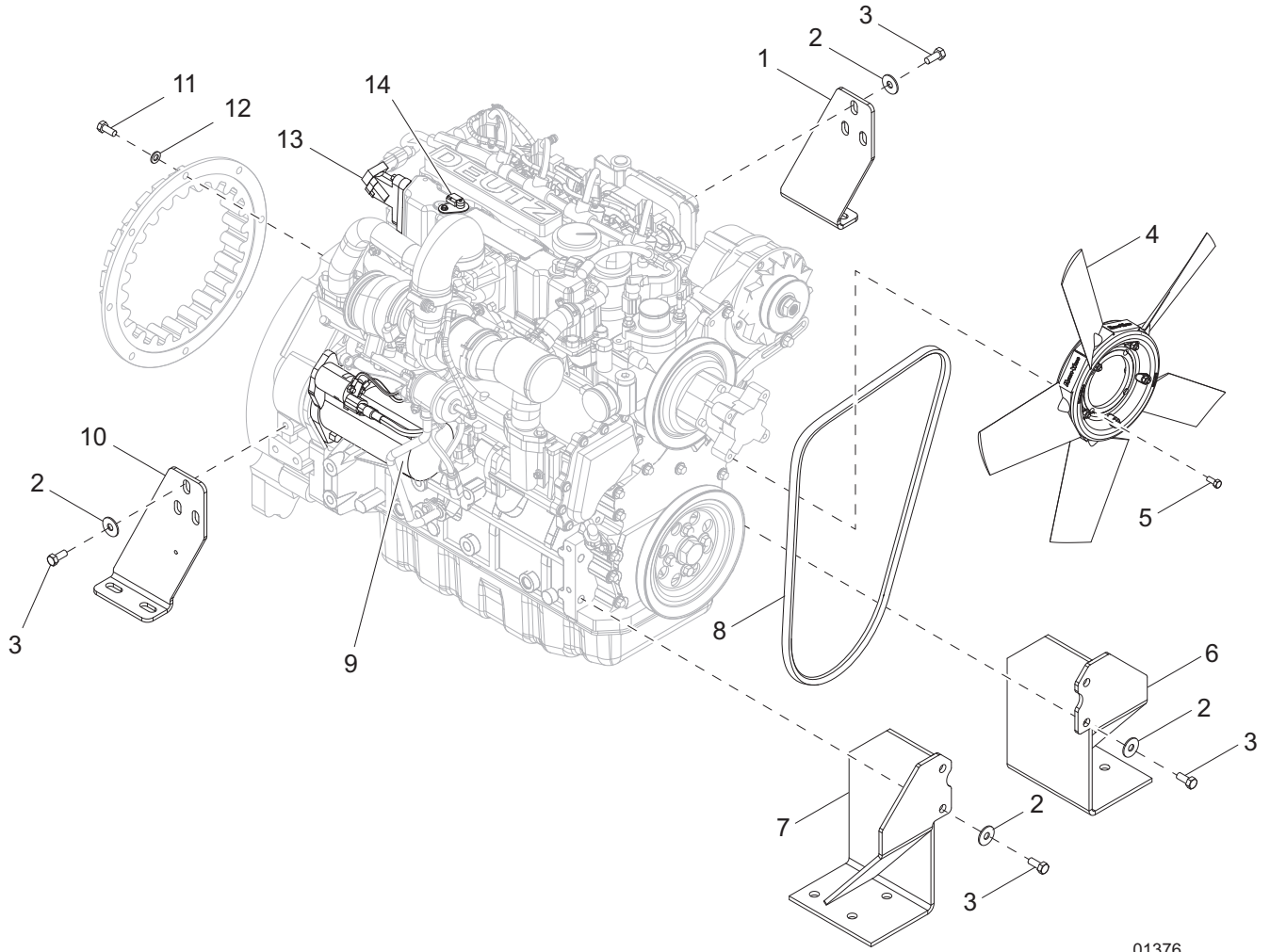
## ENGINE ASSEMBLY - LEFT SIDE

---

Item	Part No.	Qty	Description	Notes
1	31381	1	Engine, Deutz D2.9 - T4F 66hp, variable speed	
2	52223	1	Sensor, oil pressure	
3	52217	1	Filter, fuel	
4	52215	1	Dipstick, oil	
5	14216	3	Clamp, hose - SAE 004 (.21-.62) mini	
6	50051	2 ft	Hose, fuel - .375 ID, 50 psi, SAE 30R7	
7	63367	1	Fitting, 90° - .375 barb x .375 barb	
8	50051	1.5 ft	Hose, fuel - .375 ID, 50 psi, SAE 30R7	
9	60766	1	Valve, drain 18mm-1.5 w/nipple	
10	52212	1	Filter, oil	
11	52214	1	Alternator	
12	52221	1	Sensor, temperature	

**Note:** Engine and pump parts used in all Generac Mobile Products equipment carry the Original Equipment Manufacturer (OEM) warranty unless otherwise stated. OEM warranty parts must be purchased through an OEM dealer. Please contact Generac Mobile Products with questions.

# ENGINE ASSEMBLY - RIGHT SIDE



01376

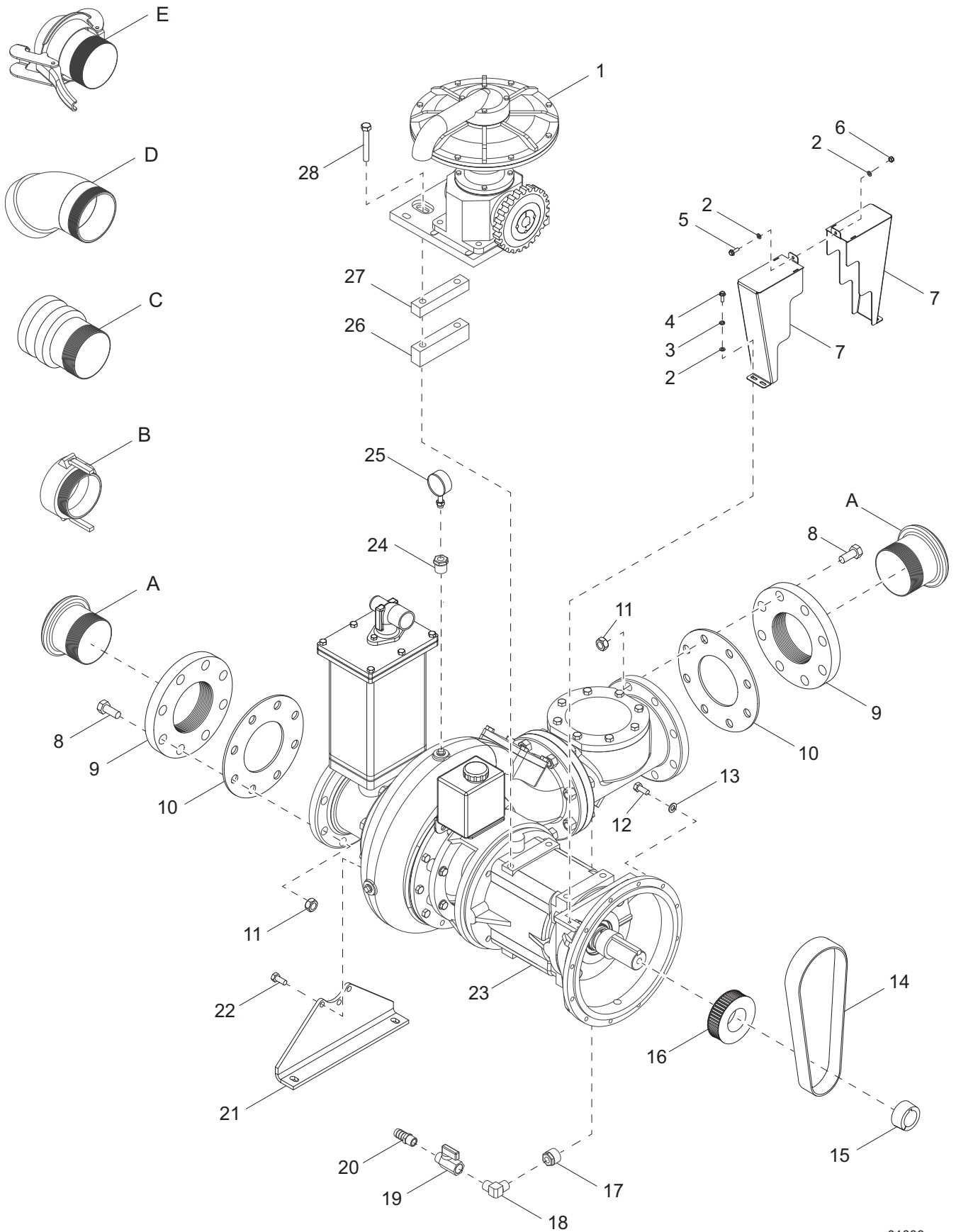
## ENGINE ASSEMBLY - RIGHT SIDE

---

Item	Part No.	Qty	Description	Notes
1	31533B	1	Bracket, engine mount - bell housing, left	
2	60012	10	Washer, M12 flat	
3	62277	10	Screw, M12 - 1.75 x 25 std hex, G10.9	
4	31410	1	Fan, pusher 20.0 CW	
5	61204	4	Screw, M8 - 1.25 x 20 std hex, G10.9	
6	31527B	1	Weldment, engine mount - left	
7	31530B	1	Weldment, engine mount - right	
8	52213	1	Belt, fan	
9	52219	1	Starter	
10	31534B	1	Bracket, engine mount - bell housing, right	
11	63338	8	Screw, M10 - 1.50 x 20 hex, G10.9	
12	60027	8	Washer, M10	
13	52224	1	Sensor, oil pressure - valve cover	
14	52220	1	Sensor, temperature - valve cover	

**Note:** Engine and pump parts used in all Generac Mobile Products equipment carry the Original Equipment Manufacturer (OEM) warranty unless otherwise stated. OEM warranty parts must be purchased through an OEM dealer. Please contact Generac Mobile Products with questions.

# EXTERNAL PUMP ASSEMBLY



01638



## EXTERNAL PUMP ASSEMBLY

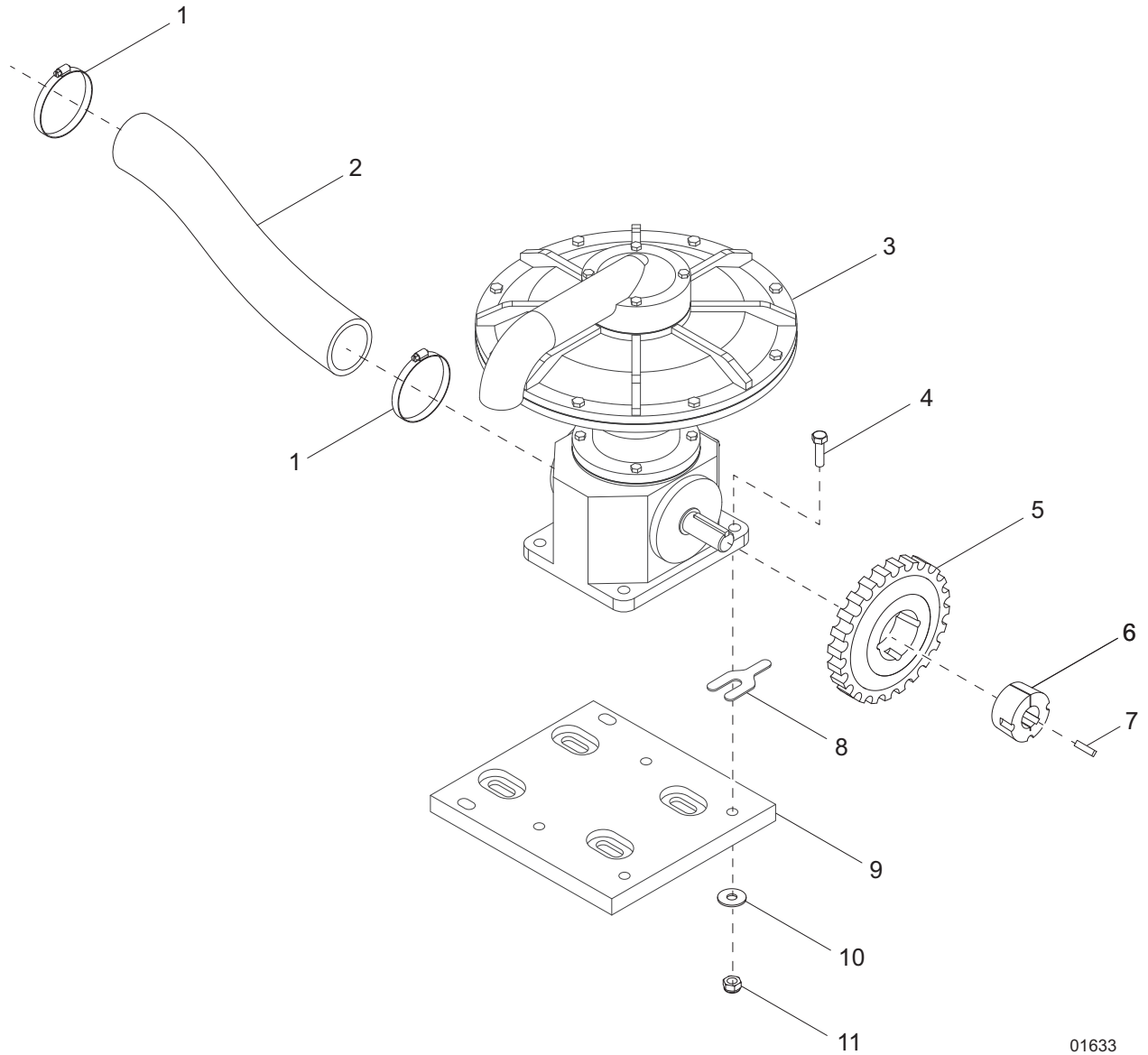
Item	Part No.	Qty	Description	Notes
1	31612B	1	Kit, Cornell Redi-Prime - 6NNT	
2	60243	6	Washer, .250 flat .735/.060	
3	60286	4	Washer, .250 split lock	
4	60175	4	Screw, .250-20 x .500 sflg hex, G5	
5	60523	1	Screw, .250-20 x .875 sflg hex	
6	60144	1	Nut, .250-20 nylock, G5	
7	31608B	2	Guard, belt	
8	61076	16	Screw, .750-10 x 3.0 std hex, G5	
9	41306B	2	Flange, 6.00NPT female, ANSI 150 lb	
10	41061	2	Gasket, pump flange - 6.0	
11	61077	16	Nut, .750-10 jam, G2 thin	
12	60055	12	Screw, M10 - 1.50 x 35 std hex, G10.9	
13	60027	12	Washer, M10 flat	
14	63379	1	Belt, pump	Included with item 1
15	63381	1	Bushing, taper lock - 2012 x 1.75 bore	Included with item 1
16	63376	1	Pulley, driver - 48 tooth	Included with item 1
17	63117	1	Fitting, strt - 1.0MNPT x .375FNPT	
18	23069	1	Fitting, 90° - .375MNPT brass	
19	62032	1	Valve, ball .375FNPT, mini	
20	25931	1	Fitting, strt - .375NPT x .625 barb	
21	31532B	1	Bracket, pump mount	
22	63186	3	Screw, .500-13 x 1.250 std hex, G5	
23	30281B	1	Pump, trash - 6.0 dry prime Cornell, 10.0 dia	
24	19401	1	Fitting, strt - .500MNPT x .250FNPT	
25	49420	1	Gauge, vacuum 0-30 HG, 2.50 dial, .25NPT	
26	31662B	2	Spacer, small	Included with item 1
27	31661B	2	Spacer, large	Included with item 1
28	62103	4	Screw,	Included with item 1

### OPTIONAL FEATURES

#### *Inlet and Outlet Fittings:*

A	41327	2	Socket, 6.0 x 6.0MNTP
B	41329	1	Coupler, cam and groove - 6.0FNPT x 6.0MNPT
C	41587	1	Coupler, cam and groove - 6.0 male x 6.0NPT
D	41556B	1	Weldment, pump fitting - 6.0NPT, 45°
E	41325	1	Ring, ball and lock, 6.0 x 6.0MNTP

# VACUUM PUMP ASSEMBLY



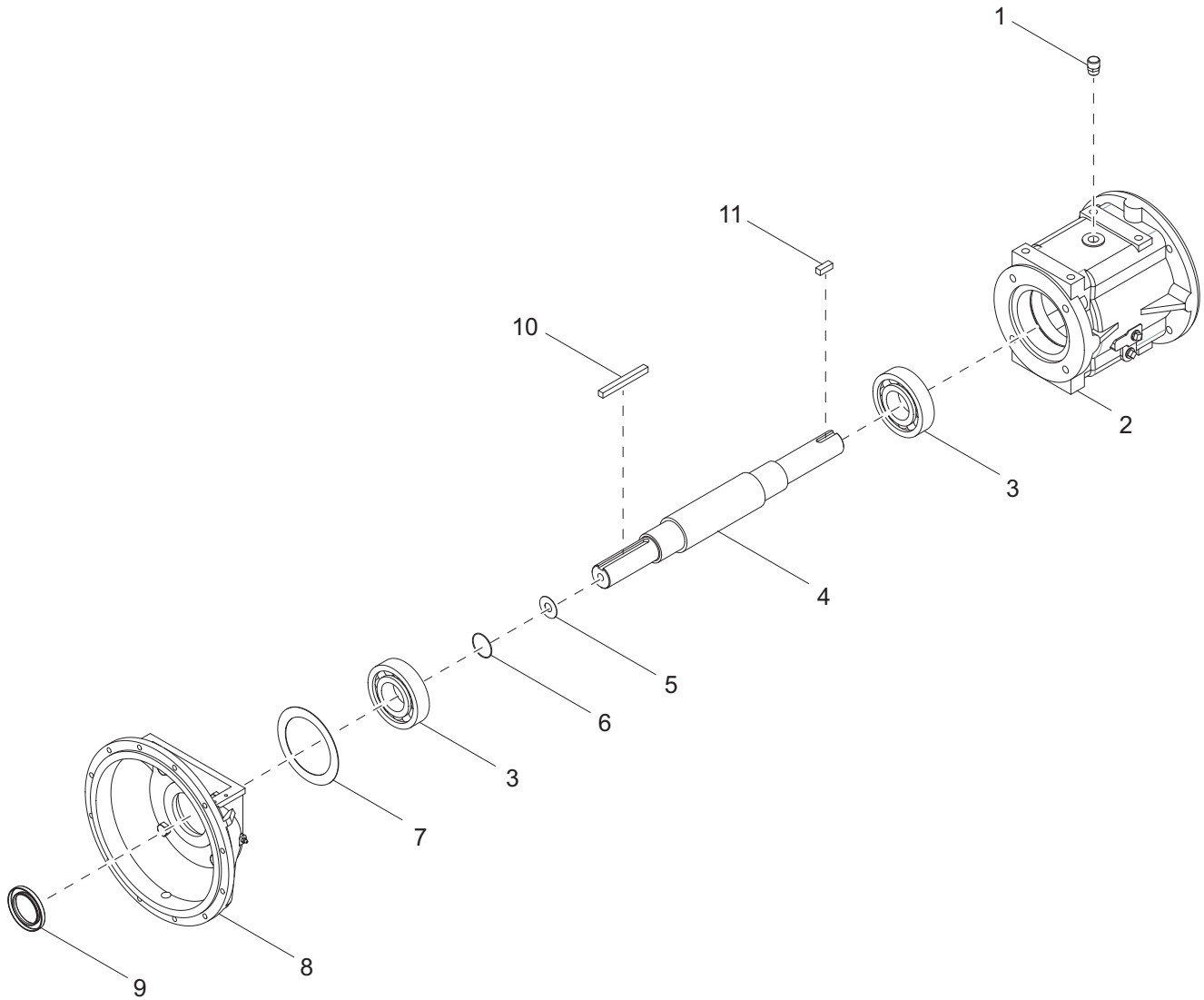
01633

## VACUUM PUMP ASSEMBLY

---

Item	Part No.	Qty	Description	Notes
1	60316	2	Clamp, hose	
2	40253	1	Hose, priming chamber	
3	31613B	1	Vacuum pump	
4	63202	4	Screw,	
5	63375	1	Pulley	
6	63377	1	Lock, taper	
7	63380	1	Key	
8	63257	4	Shim, .0156 in	
--	63183	4	Shim, .0312 in	
--	63258	4	Shim, .0625 in	
9	31659B	1	Table, pump support	
10	60243	4	Washer	
11	60668	4	Nut	
--	63372	1	Assembly, vacuum pump	

# BEARING FRAME ASSEMBLY



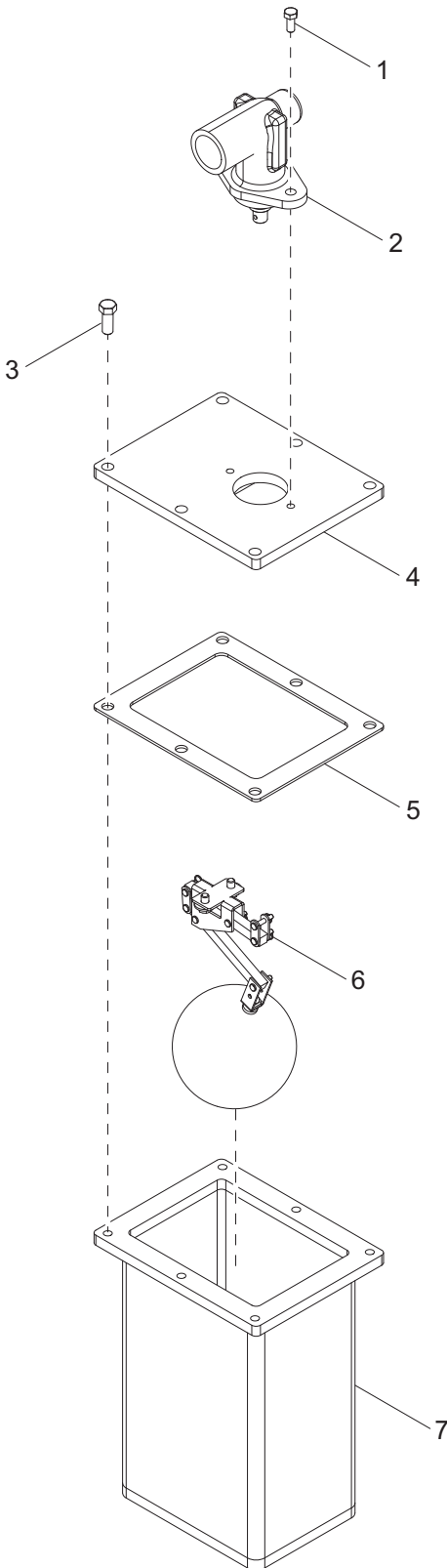
01381

## BEARING FRAME ASSEMBLY

---

Item	Part No.	Qty	Description	Notes
1	52034	1	Breather, .500NPT	
2	52130	1	Frame, pump	
3	52134	2	Bearing, 16B	
4	52133	1	Shaft, 6NNT	
5	52118	1	Shim, .005	
6	52124	1	O-ring, 2.00 x 2.19 x .090	
7	52142	1	Shim, .010	
8	52043	1	Bracket, engine	
9	52139	1	Seal, lip	
10	52146	1	Key, drive end .500 x 4.00	
11	52117	1	Key, impeller .500 x 1.38	

# PRIMING CHAMBER ASSEMBLY



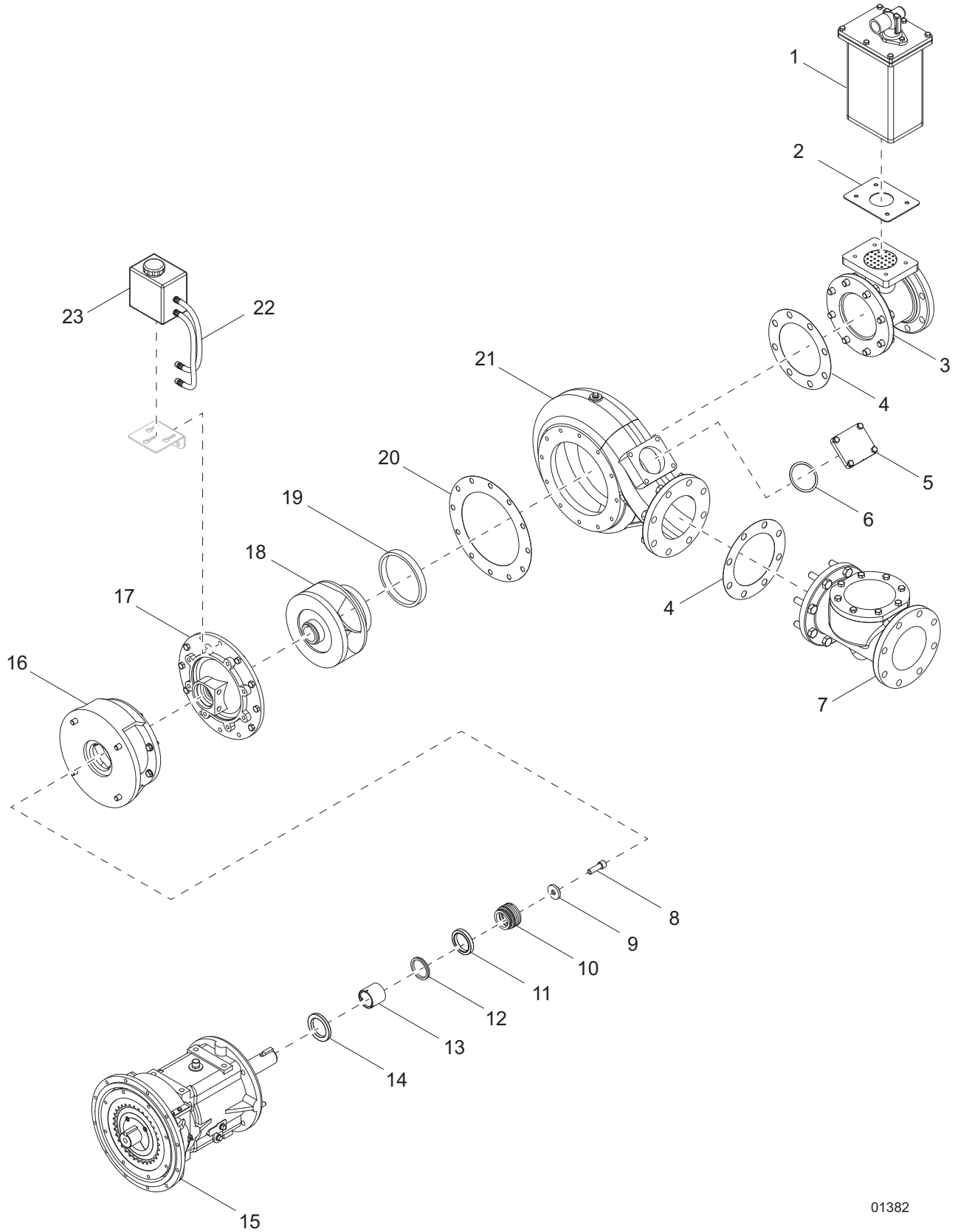
01637

## PRIMING CHAMBER ASSEMBLY

---

Item	Part No.	Qty	Description	Notes
1	52167	2	Capscrew, hex .31NC x .50	
2	31656	1	Valve, priming chamber	
3	52178	6	Screw, .440 x 1.25 std hex, SS	
4	52163	1	Cover, priming chamber	
5	52177	1	Gasket, priming chamber - upper	
6	52165	1	Assembly, float linkage	
7	52180	1	Priming chamber	
--	52162	1	Assembly, priming chamber	

# INTERNAL PUMP ASSEMBLY



01382

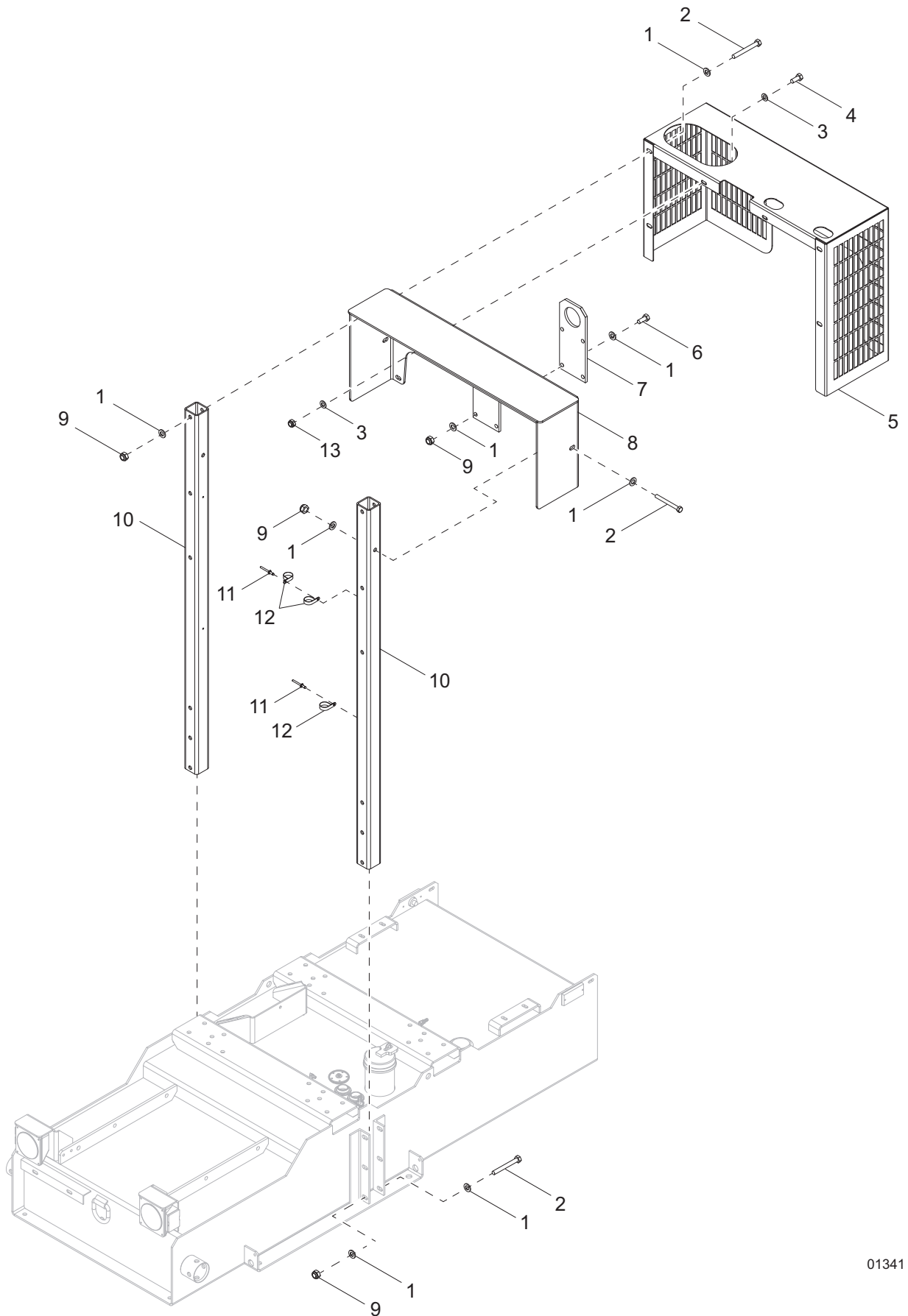


## INTERNAL PUMP ASSEMBLY

---

Item	Part No.	Qty	Description	Notes
1	<a href="#">Page 24</a>	1	Assembly, priming chamber	
2	52077	1	Gasket, priming chamber - lower	
3	52196	1	Spool, 6.0 x 6.0 fabricated	
4	52197	2	Gasket, 6.0 in - full face	
5	52111	1	Cover, clean out	
6	52018	1	Deflector	
7	52199	1	Valve, 6.0 x 6.0	
8	52116	1	Lock screw, .62NC x 2.0, socket head	
9	52115	1	Washer, impeller	
10	52126	1	Seal, 2002S RP	
11	52127	1	Seal, lip - 2.50 x 3.375	
12	52128	1	V-ring	
13	52123	1	Sleeve, 2.50 x 2.0 x 2.25 chrome	
14	52139	1	Seal, lip	
15	<a href="#">Page 22</a>	1	Assembly, bearing frame	
16	52135	1	Bracket, 8B4	
17	52119	1	Backplate	
18	52114	1	Impeller, 4NNT - 1.94 in blind bore	
19	52107	1	Ring, wear 7.50 x 6.75 x .88 open	
20	52109	1	Gasket, volute	
21	52108	1	Volute, 6NNT w/clean out	
22	52159	2	Hose, .38 ID	
23	52049	1	Reservoir, oil w/cap - run-dry	

# LIFT STRUCTURE ASSEMBLY



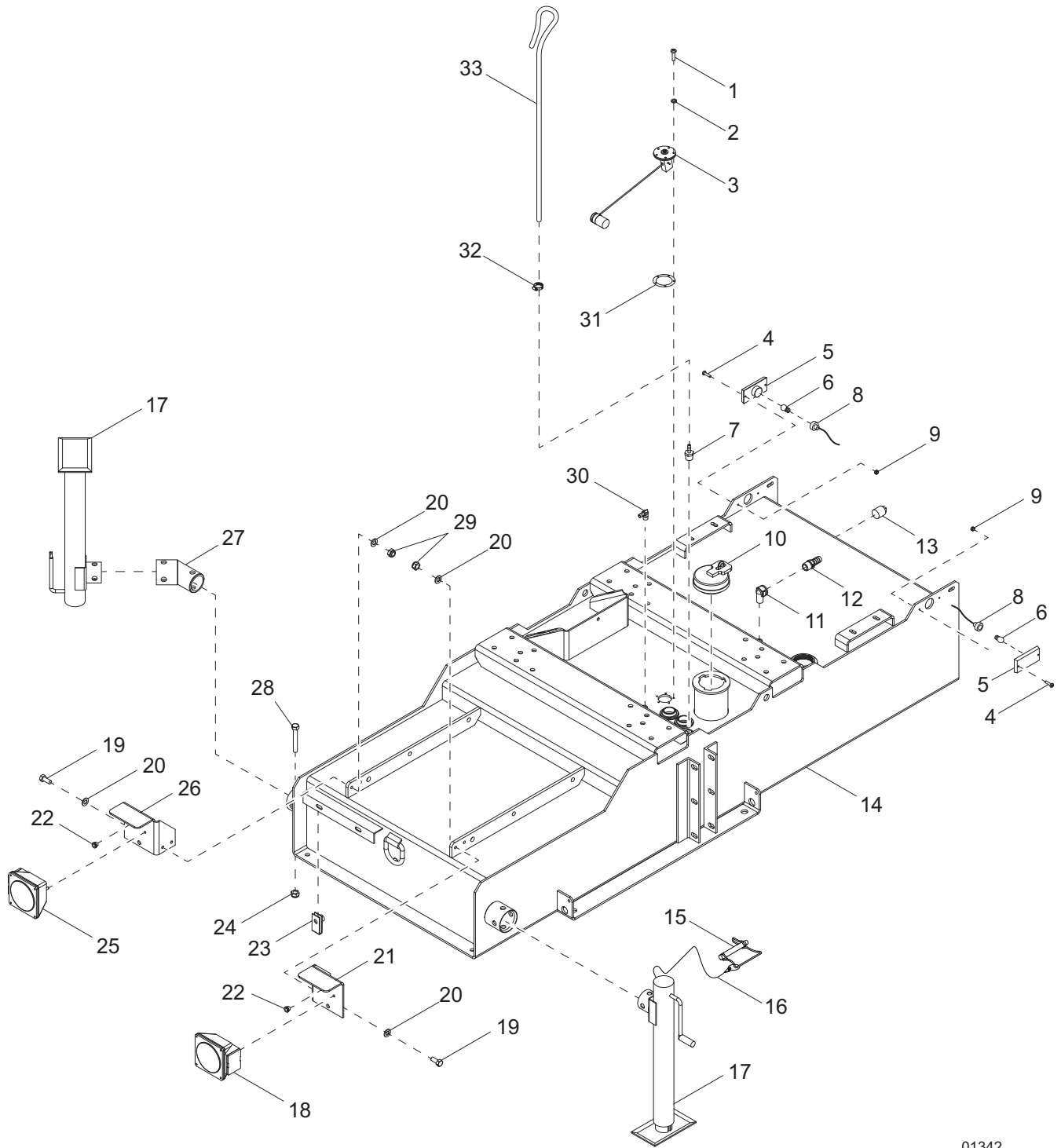
01341

## LIFT STRUCTURE ASSEMBLY

---

Item	Part No.	Qty	Description	Notes
1	60309	32	Washer, .500 flat 1.060/.090	
2	50215	12	Screw, .500-13 x 4.0 std hex, G5	
3	60386	4	Washer, .375 flat .993/.064	
4	60205	2	Screw, .375-16 x 1.0 std hex, G5	
5	31605B	1	Shield, heat	
6	60484	4	Screw, .500-13 x 2.0 std hex, G5	
7	41080B	1	Bracket, lift eye	
8	31584B	1	Bracket, lift support	
9	62221	16	Nut, .500-13 nylock, G5	
10	31585B	2	Tube, lift structure	
11	60195	2	Rivet, .188 dia. x .375 to .500 grip	
12	15627	3	Clamp, tubing - .625 heavy duty	
13	60358	2	Nut, .375-16 nylock, G5	

# FUEL TANK ASSEMBLY (1 OF 2)

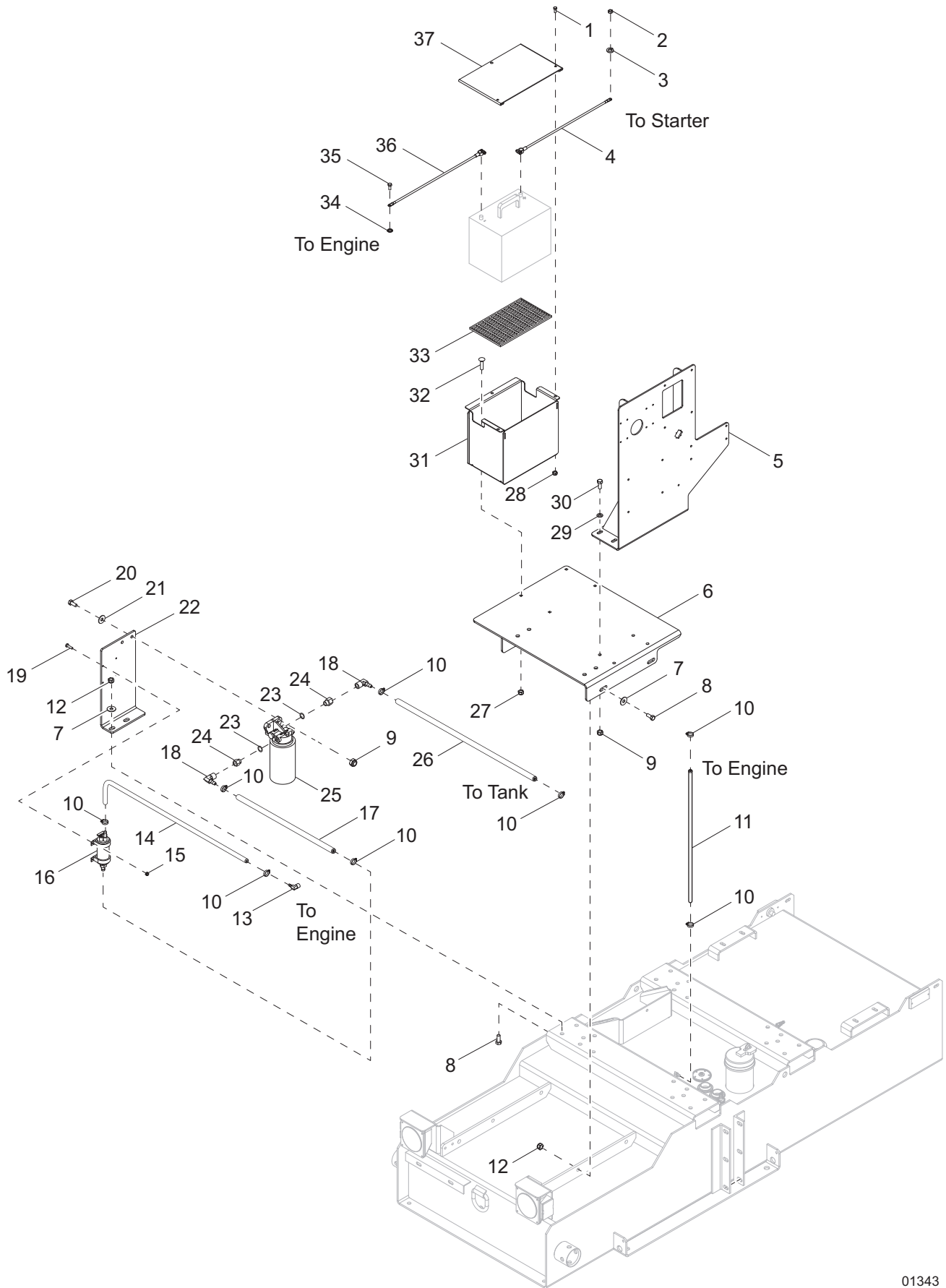


01342

## FUEL TANK ASSEMBLY (1 OF 2)

Item	Part No.	Qty	Description	Notes
1	60156	5	Screw, M5-.80 x 16 pan phil, G4.8	
2	60252	5	Washer, #10 split lock	
3	20571	1	Sender, fuel - 10-15 in. tank	
4	60406	4	Screw, 8-32 x 1.0 pan phil, G2	
5	66373	2	Lens, light, clearance marker - amber	
6	65661	2	Bulb, light - clearance marker	
7	60999	1	Fitting, strt - .500MNPT x .312 barb, brass	
8	65662	2	Plug, light - clearance marker	
9	60270	4	Nut, 8-32 nylock, class 6	
10	23707	1	Cap, fuel fill - 3.50	
11	23146	1	Fitting, 90° - .250MNPT x .375FNPT brass	
12	21339	1	Fitting, strt - .375NPT x .500 barb	
13	60498	1	Fitting, square plug - .750NPT	
14	41278B	1	Weldment, fuel tank/chassis	
15	23256	1	Pin, jack - 2000 lb, tube-mounted	
16	12647	1	Cable, tether - jack pin and ground rod cover	
17	41133	2	Jack, side wind - 2000 lb, tube-mounted	
18	49626	1	Light, stop/turn/tail - waterproof - LED right	
19	62001	4	Screw, .312-18 x 1.250 std hex, G5	
20	60119	8	Washer, .312 flat .875/.070	
21	41101B	1	Bracket, tail light mounting - right	
22	19163	2	Fitting, bushing - .500 OD x .375 ID	
23	61147	2	Nut, .312-18 U-clip, long type, G5	
24	60240	1	Nut, .625-11 nylock, G5	
25	49627	1	Light, stop/turn/tail - waterproof w/LP - LED left	
26	41102B	1	Bracket, tail light mounting - left	
27	31617B	1	Weldment, jack support	
28	63337	1	Screw, .625-11 x 4.50 hex, G8	
29	60303	4	Nut, .312-18 nylock, G2	
30	20645	1	Fitting, 90° - .250NPT x .375 barb, brass	
31	22323	1	Gasket, sending unit	
32	14216	1	Clamp, hose - SAE 004 (.21x.62) mini	
33	50343	3.16 ft	Hose, fuel - .312 ID x .562 OD, 60 psi	
--	41123	1	Harness, trailer light	
--	60353	1	Screw, .375-16 x 1.0 flg hex, self-tapping, G2	Use with item 41123
--	60698	1	Washer, .375 flat .875/.040, SS	Use with item 41123
--	60053	1	Washer, .375 external star	Use with item 41123
--	67856	1	Harness, trailer extension assembly	
OPTIONAL FEATURES				
<i>Harness - Electric Brake:</i>				
--	65899	1	Harness, electric brake	

# FUEL TANK ASSEMBLY (2 OF 2)

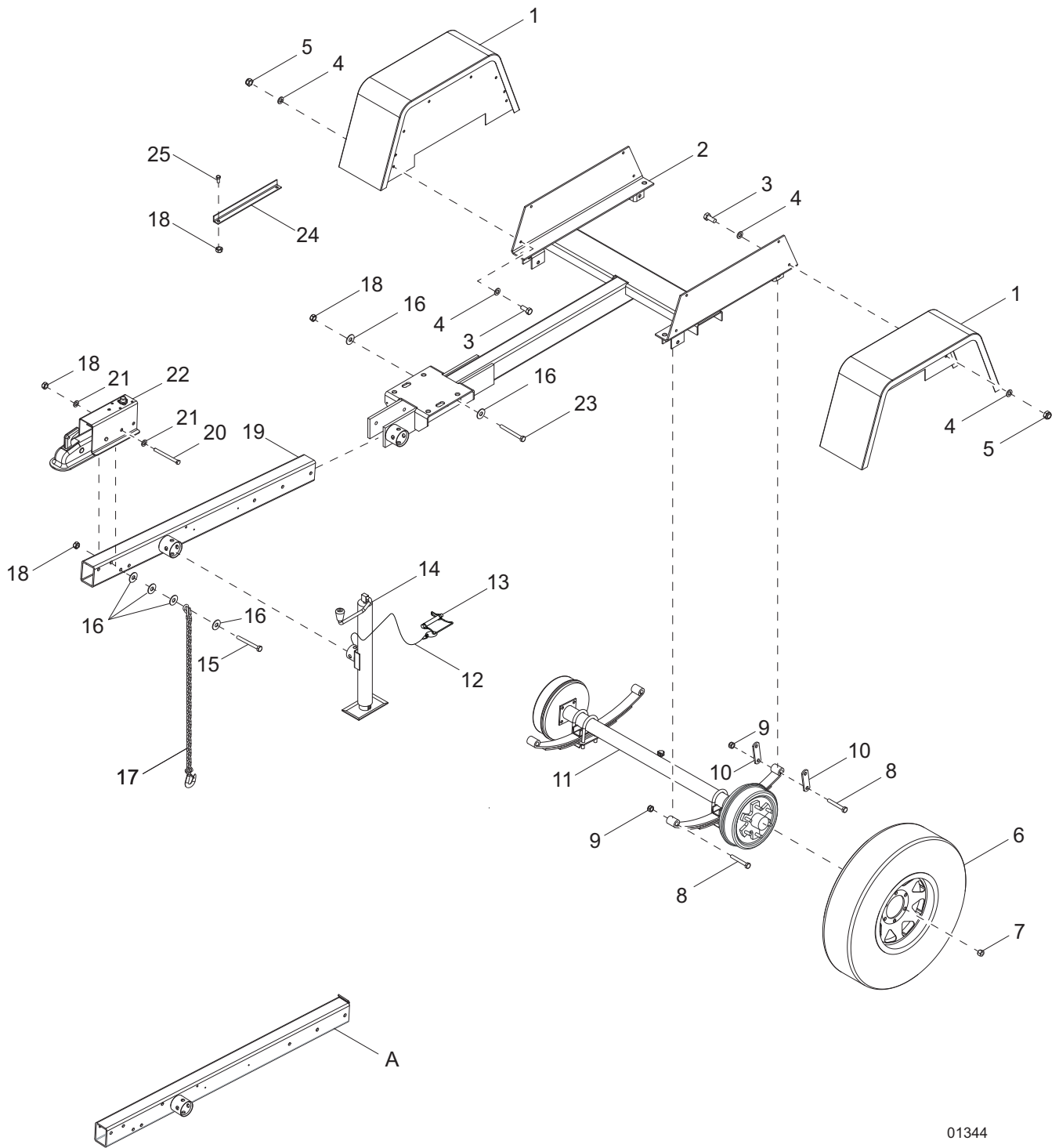


01343

## FUEL TANK ASSEMBLY (2 OF 2)

Item	Part No.	Qty	Description	Notes
1	60393	3	Screw, .250-20 x 1.0 std hex, G5	
2	60032	1	Nut, M8-1.25 hex, G8.8	
3	60271	1	Washer, .312 split lock	
4	24777	1	Cable, battery - 54 in. 2GA red w/lead, 3/8 in. lug	
5	31538B	1	Weldment, control box support	
6	31576B	1	Weldment, pump support	
7	60309	6	Washer, .500 flat 1.060/.090	
8	60388	6	Screw, .500-13 x 1.5 std hex, G5	
9	60358	6	Nut, .375-16 nylock, G5	
10	19453	8	Clamp, hose - SAE 006 (.37-.87)	
11	51021	3.2 ft	Hose, fuel - .375 ID, 125 psi	
12	62221	6	Nut, .500-13 nylock, G5	
13	62145	1	Fitting, 90° - .375MNPT x .375 barb, brass	
14	51021	1.5 ft	Hose, fuel - .375 ID, 125 psi	
15	60061	4	Nut, 10-32 nylock	
16	31451	1	Pump, fuel - Deutz TD2.9	
17	51022	1.5 ft	Hose, fuel - .500 ID, 125 psi	
18	62108	2	Fitting, 90° - .375MNPT x .500 barb, brass	
19	60397	4	Screw, 10-32 x 1.0 pan phil, G2	
20	60139	2	Screw, .375-16 x 1.50 std hex, G5	
21	60698	2	Washer, .375 flat .875/.040, SS	
22	31614B	1	Bracket, filter	
23	63223	2	Seal, M16	
24	33146	2	Fitting, strt - .375FNPT x M16-1.5 male	
25	52216	1	Pre-filter, fuel	
26	51022	3.1 ft	Hose, fuel - .500 ID, 125 psi	
27	60303	4	Nut, .312-18 nylock, G2	
28	60144	3	Nut, .250-20 nylock, G5	
29	60386	4	Washer, .375 flat .993/.064	
30	60352	4	Screw, .375-16 x 1.25 std hex, G5	
31	31560B	1	Box, battery	
32	61066	4	Screw, .312-18 x 1.0 carr sqr, SS	
33	41185	1	Pad, battery - 6.0 x 10.0 in	
34	60369	1	Washer, M12 external star	
35	60019	1	Screw, M12-1.75 x 20 sflg hex, G8.8	
36	31625	1	Cable, battery - 46 in. 2GA black post, 1/2 in. lug	
37	31580B	1	Cover, battery box	

# TRAILER ASSEMBLY



01344

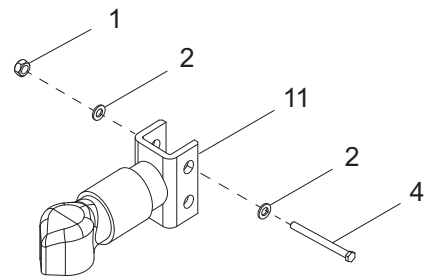
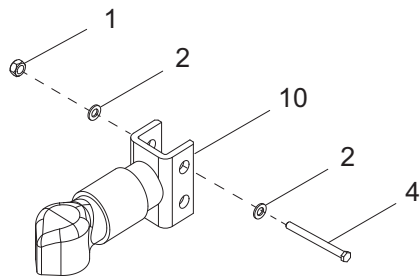
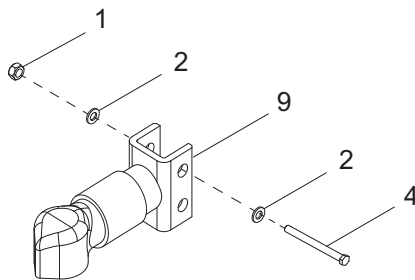
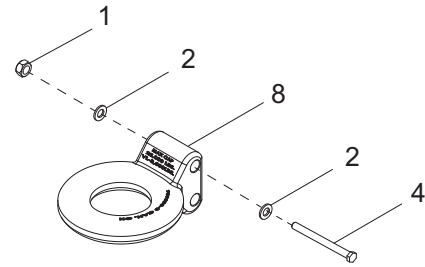
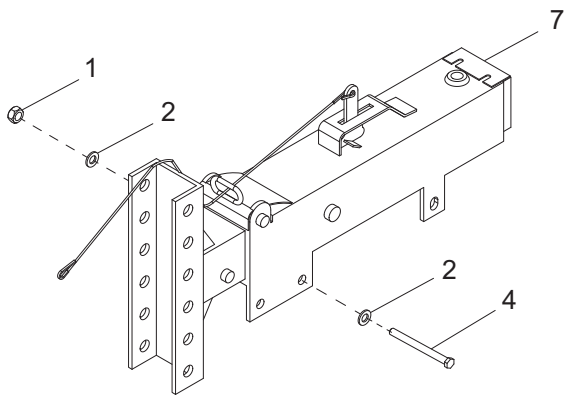
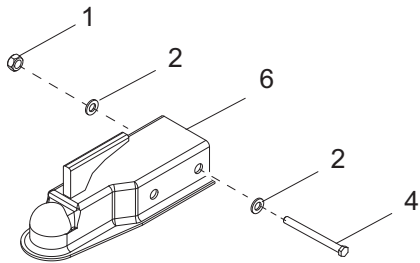
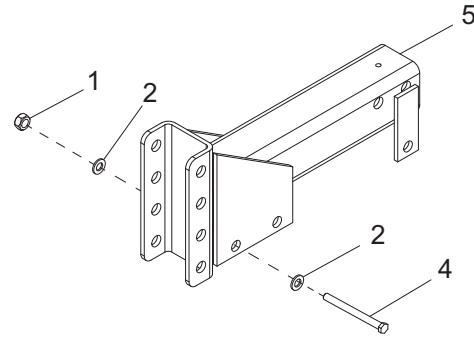
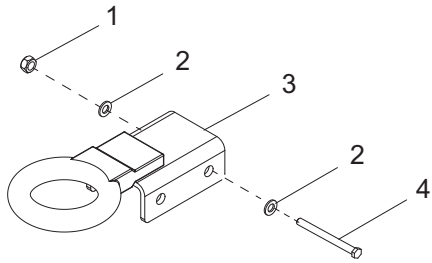


## TRAILER ASSEMBLY

---

Item	Part No.	Qty	Description	Notes
1	22743B	2	Fender, single wheel	
2	24811B	1	Weldment, trailer chassis - flip tongue	
3	61036	8	Screw, .375-16 x 1.25 std hex, SS	
4	60698	16	Washer, .375 flat .875/.040, SS	
5	60358	8	Nut, .375-16 nylock, G5	
6	18377	2	Wheel, ST225/75R15, 2540 lb	
7	60096	12	Nut, .500-20 lug, G5	
8	60503	6	Screw, shackle .562-18 x 3.0 std hex, G5	
9	60504	6	Nut, .562-18 lock hex, G5	
10	19637	4	Plate, shackle bracket - 3.125	
11	<i>Page 38</i>	1	Assembly, axle	
12	12647	1	Cable, tether - jack pin and ground rod cover	
13	23256	1	Pin, jack - 2000 lb, tube-mounted	
14	13051	1	Assembly, jack, 2000 lb top wind, tube-mounted	
15	60376	2	Screw, .500-13 x 4.50 std hex, G5	
16	60416	14	Washer, .500 flat 1.375/.090	
17	23367	2	Chain, safety - 7800 lb	
18	62221	8	Nut, .500-13 nylock, G5	
19	24812B	1	Weldment, tongue - flip non-adjustable actuator	
20	61099	2	Screw, .500-13 x 5.0 std hex, G8	
21	60309	4	Washer, .500 flat 1.060/.090	
22	24304	1	Actuator, hydraulic surge brake - 2 in. ball, 6000 lb	
--	41762	1	O-ring, 24 mm	
23	61104	3	Screw, .500-13 x 5.50 std hex, G8	
24	24691B	1	Brace, tongue shipping	
25	61103	1	Screw, .500-13 x 1.75 sflg hex	
--	24701	1	Assembly, trailer basic	
OPTIONAL FEATURES				
A	30931B	1	Weldment, tongue w/support plate - electric brake	

# TRAILER HITCH OPTIONS



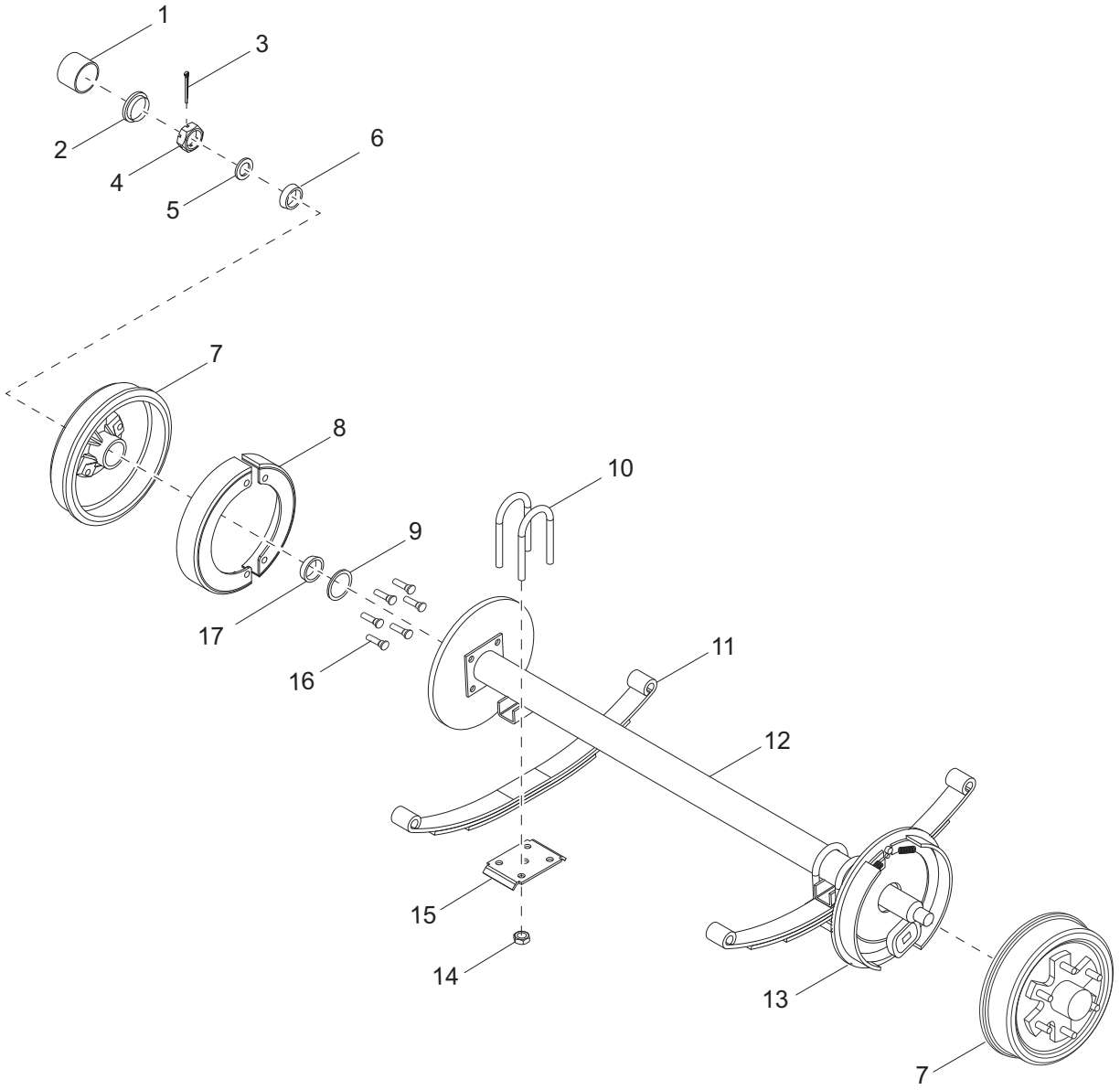
01347

## TRAILER HITCH OPTIONS

---

Item	Part No.	Qty	Description	Notes
1	62221	18	Nut, .500-13 nylock, G5	
2	60309	30	Washer, .500 flat 1.060/.090	
3	11032B	1	Weldment, lunette ring - 3.0 ID	Non-adjustable
4	61099	18	Screw, .500-13 x 5.0 std hex, G8	
5	23162	1	Coupler, 2.0 ball/3.0 channel - 5000 lb	Non-adjustable
6	19379B	1	Weldment, hitch - 4 position, electric brake	Adjustable
7	40529	1	Actuator, hydraulic surge brake - 7500 lb	Adjustable
8	19335B	1	Coupler, lunette ring - 3.0 ID	Requires item 5 or 7
9	19518	1	Coupler, 2.0 ball	Requires item 5 or 7
10	19519	1	Coupler, 2.31 ball	Requires item 5 or 7
11	41795	1	Coupler, 2.31 ball - 12500 lb, Bulldog	Requires item 5 or 7
--	65593	1	Adapter, trailer wiring - 4 pin and 2 pin to 6 pin	Electric Brake
--	65583	1	Adapter, trailer wiring - round 6 pin to round 7 spade	Electric Brake Requires 65593
--	65463	1	Adapter, trailer wiring - flat 4 pin to round 6 pin	Surge Brake
--	65464	1	Adapter, trailer wiring - flat 4 pin to round 7 pin	Surge Brake
--	65465	1	Adapter, trailer wiring - flat 4 pin to round 7 spade	Surge Brake

# AXLE ASSEMBLY



01345

## AXLE ASSEMBLY

---

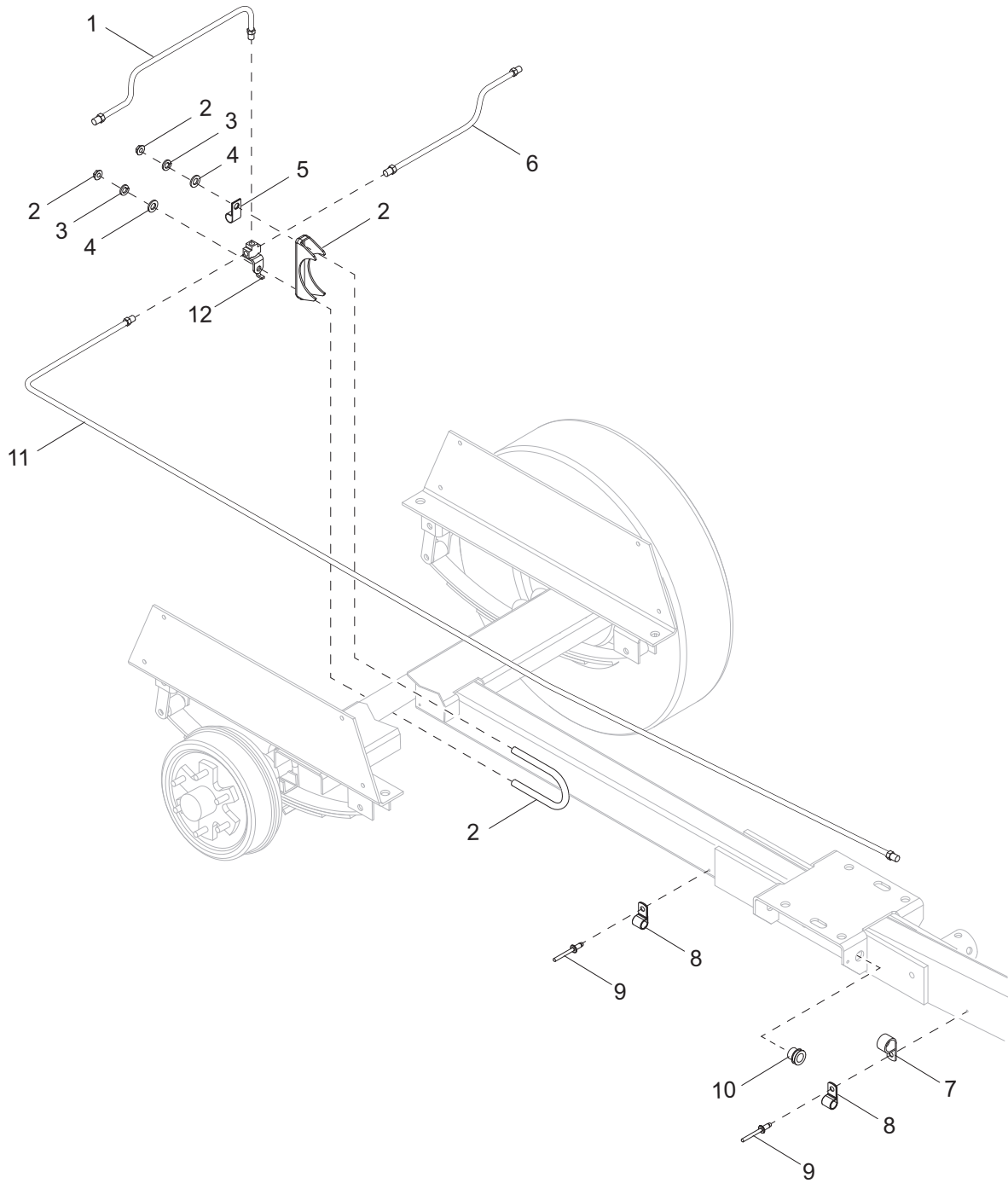
Item	Part No.	Qty	Description	Notes
1	23170	2	Cap, grease - 5000 lb	
2	11254	2	Plug, grease cap - zerk	
3	26583	2	Pin, cotter	
4	12308	2	Nut, spindle	
5	26581	2	Washer, spindle	
6	24831	2	Roller bearing - outer	
7	26452	2	Brake drum - 12 in. 6 holes on 5.5 in	
8	42338	2	Brake pads	
9	24832	2	Bearing seal, axle	
10	40875	4	U-bolt, axle	
11	23912	2	Spring, 5000 lb axle	
12	22877	1	Axle, 5000 lb hydraulic	
13	26572	1	Assembly, surge brake - right	
	26571	1	Assembly, surge brake - left	
14	26441	8	Nut, U-bolt 1/2-20, plated	
15	40874	2	Tie plate, axle	
16	60963	12	Stud, wheel - .500-20, 5000 lb	
17	24830	2	Roller bearing, inner	
--	24796	1	Assembly, axle, 5000 lb - hydraulic brake	

### OPTIONAL FEATURES

#### *Axle - Electric Brake:*

--	22876	1	Axle, 5000 lb electric	
--	26573	1	Assembly, electric brake - left	
--	26574	1	Assembly, electric brake - right	

# TRAILER BRAKE LINES



01346

## TRAILER BRAKE LINES

---

Item	Part No.	Qty	Description	Notes
1	40495	1	Line, brake .188 x 20.0	
2	61064	1	Clamp, muffler - 3.0 light duty	
3	60341	2	Washer, M8 split lock, SS	
4	60166	2	Washer, M8 flat	
5	61010	1	Clamp, tubing - .375 heavy duty	
6	40494	1	Line, brake .188 x 30.0	
7	16143	4	Clamp, tubing - .500	
8	15626	6	Clamp, tubing - .375 light duty	
9	60231	7	Rivet, .188 dia x .375 to .500 grip	
10	22340	2	Fitting, bushing - 1.0 OD x .750 ID	
11	24688	1	Hose, brake - .188 x 136.0 male/male	
12	19252	1	Fitting, strt - .188 brake line T w/bracket	

## RECOMMENDED SPARE PARTS LIST

---

### ENGINE

Alternator, engine.....	52214
Belt, fan .....	52213
Cap, fuel fill.....	23707
Dipstick, .....	52215
Element, air filter .....	22874
Fan, pusher .....	31410
Pre-filter, fuel .....	52216
Filter, fuel.....	52217
Filter, oil .....	52212
Hose, radiator - lower .....	31440
Hose, radiator - upper.....	31439
Pump, fuel .....	31451
Sender, fuel .....	20571
Sensor, temp, valve cover .....	52220
Sensor, temp .....	52221
Sensor, low coolant .....	68206
Sensor, oil pressure, valve cover.....	52224
Sensor, oil pressure.....	52223
Starter, engine .....	52219

### PUMP

Vacuum Pump .....	31613B
Impeller.....	52114
Mechanical seal.....	52126
Wear Plate .....	52107

### ELECTRICAL

Controller, LOFA 750 .....	31504
E-stop switch .....	65470
E-stop contactor NO/NO.....	65584
Relay, 12V 70A w/diode (glow plug).....	66455

### TRAILER

Jack, side wind (rear) .....	41133
Jack, top wind (tongue) .....	13051









